

PROVA AMARELA

MARINHA DO BRASIL

SERVIÇO DE SELEÇÃO DO PESSOAL DA MARINHA

*Concurso Público para ingresso nos Quadros
Complementares de Oficiais da Marinha
(CP-QC-CA-FN/2025)*

**ESTÁ AUTORIZADA A UTILIZAÇÃO DE
CALCULADORA PADRÃO NÃO CIENTÍFICA**

ELETRÔNICA

QC-FN (Engenharias) e QC-CA (Ciências Náuticas – Área de Náutica)

PROVA AMARELA

Read the text below and answer questions 1 to 5.

TEXT I

The world's strongest ocean current should be getting faster - instead, it is at risk of failing.

Antarctica's remote and mysterious current has a profound influence on the climate, food systems and Antarctic ecosystems. Can we stop it weakening by 2050? The Antarctic Circumpolar Current is the strongest ocean current on the planet. It's five times stronger than the Gulf Stream and more than 100 times stronger than the Amazon River. It forms part of the global ocean "conveyor belt" connecting the Pacific, Atlantic and Indian oceans. The system regulates Earth's climate and pumps water, heat and nutrients around the globe. But fresh, cool water from melting Antarctic ice is diluting the salty water of the ocean, potentially disrupting the vital ocean current.

The Antarctic Circumpolar Current is like a moat around the icy continent. The current helps to keep warm water at bay, protecting vulnerable ice sheets. It also acts as a barrier to invasive species such as southern bull kelp and any animals hitching a ride on these rafts, spreading them out as they drift towards the continent. It also plays a big part in regulating the Earth's climate.

The influence of climate change:

Ocean currents respond to changes in temperature, salt levels, wind patterns and sea ice extent. So the global ocean conveyor belt is vulnerable to climate change on multiple fronts. Previous research suggested one vital part of this conveyor belt could be headed for a catastrophic collapse. Theoretically, warming water around Antarctica should speed up the current. This is because density changes and winds around Antarctica dictate the strength of the current. Warm water is less dense (or heavy) and this should be enough to speed up the current.

Far-reaching consequences:

The consequences of a weaker Antarctic Circumpolar Current are profound and far-reaching. As the main current that circulates nutrient-rich waters around Antarctica, it plays a crucial role in the Antarctic ecosystem. Weakening of the current could reduce biodiversity and decrease the productivity of fisheries that many coastal communities rely on. It could also aid the entry of invasive species such as southern bull kelp to Antarctica, disrupting local ecosystems and food webs.

(Adapted from: www.bbcnews/fuure/article/20250303-the-worlds-strongest-ocean-current-is-at-risk)

QUESTÃO 1

According to the excerpt below, mark the correct conjunction that can be replaced for another, without changing the meaning of the text.

"But fresh, cool water from melting Antarctic ice is diluting the salty water of the ocean, potentially disrupting the vital ocean current."

- (A) Since
- (B) When
- (C) However
- (D) Moreover
- (E) Because

QUESTÃO 2

Read the excerpts about the Text I and establish if the statements are true or false and mark the correct answer.

- () The Antarctic Circumpolar Current is the strongest on the planet and it's stronger than the Gulf Stream and the Amazon River.
- () The current helps to keep warm water at bay, protecting even vulnerable ice sheets, as also acts as a kind of barrier to invasive species.
- () It forms part of the global ocean "conveyor belt" a specie of continuous movement and connecting only Pacific and Indian oceans.
- () There is a complex concern about the consequences of a weaker Antarctic Circumpolar Current, because it plays a crucial role in the Antarctic ecosystem.

- (A) (T) (F) (F) (F)
- (B) (T) (T) (F) (T)
- (C) (T) (F) (T) (F)
- (D) (F) (F) (T) (F)
- (E) (T) (T) (F) (F)

QUESTÃO 3

The preposition in English plays an important role, to connect words and it might express different meanings, as noticed in "Can we stop it; weakening by 2050?"

Mark the statement which presents the correct use of prepositions.

- (A) Weather conditions have been changing over the years.
- (B) Antarctica's current has influence at several aspects.
- (C) The reference we find depends of some dolphins.
- (D) The author alerted the consequences with global ocean.
- (E) Biologists usually take care for nature.

QUESTÃO 4

Mark the option that presents an INCORRECT use of a modal verb.

- (A) This machine should work properly.
- (B) New great inventors might appear in any age.
- (C) May you follow the present legislation?
- (D) This should be enough to speed up the current.
- (E) They couldn't change anything in the company.

QUESTÃO 5

By reading the text: "[...] spreading them out as they drift towards the continent.", it is correct to infer that the meaning of the underlined term is similar to:

- (A) expand.
- (B) close.
- (C) reduce.
- (D) contract.
- (E) compress.

Read the text below and answer questions 6 to 10.

TEXT II

TITLE: Asteroid probe snaps rare images of Martian Moon

March 13, 2025 3:29 PM
By Agência France-Press

Paris -

On the way to investigate the scene of a historic asteroid collision, a European spacecraft swung by Mars and captured rare images of the red planet's mysterious small moon Deimos, the European Space Agency said Thursday.

Europe's HERA mission is aiming to find out how much of an impact a NASA spacecraft made when it deliberately smashed into an asteroid in 2022 in the first test of our planetary defenses.

But HERA will not reach the asteroid - which is 11 million kilometers from Earth in the asteroid belt between Mars and Jupiter - until late 2026.

On the long voyage there, the spacecraft swung around Mars on Wednesday.

The spacecraft used the planet's gravity to get a "kick" that also changed its direction and saved fuel, mission analyst Pablo Munoz told a press conference.

For an hour, HERA flew as close as 5,600 kilometers from the Martian surface, at a speed of 33,480 kilometers an hour.

It used the opportunity to test some of its scientific instruments, snapping around 600 pictures, including rare ones of Deimos.

The lumpy, 12.5-kilometer-wide moon is the smaller and less well-known of the two moons of Mars.

Exactly how Deimos and the bigger Phobos were formed remains a matter of debate.

Some scientists believe they were once asteroids that were captured in the gravity of Mars, while others think

they could have been shot from a massive impact on the surface.

The new images add "another piece of the puzzle" to efforts to determine their origin, Marcel Popescu of the Astronomical Institute of the Romanian Academy said.

There are hopes that data from HERA's "HyperScout" and thermal infrared imagers - which observe colors beyond the limits of the human eye - will shed light on this mystery by discovering more about the moon's composition.

Those infrared imagers are why the red planet appears blue in some of the photos.

Next, HERA will turn its focus back to asteroid Dimorphos. When NASA's DART mission smashed into Dimorphos in 2022, it shortened the 160-meter-wide asteroid's orbit around its big brother Didymos by 33 minutes.

Although Dimorphos itself posed no threat to Earth, HERA intends to discover whether this technique could be an effective way for Earth to defend itself against possibly existence-threatening asteroids in the future.

Space agencies have been working to ramp up Earth's planetary defenses, monitoring for potential threats so they can be dealt with as soon as possible.

Earlier this year, a newly discovered asteroid capable of destroying a city was briefly given a more than 3% chance of hitting Earth in 2032.

However further observations sent the chances of a direct hit back down to nearly zero.

Richard Moissl, head of the ESA's planetary defense office, said that asteroid, 2024 YR, followed a pattern that will become more common.

As we get better at scanning the skies, "we will discover asteroids at a higher rate," he said.

The ESA is developing a secondary planetary defense mission to observe the 350-meter-wide asteroid Apophis, which will fly just 32,000 kilometers from Earth on April 13, 2029.

If approved by the ESA's ministerial council, the Ramses mission will launch in 2028, reaching the asteroid two months before it approaches Earth.

(Adapted from: <https://www.voanews.com/a/asteroid-probe-snaps-rare-images-of-martian-moon/8009850.html>)

QUESTÃO 6

HERA, DART and RAMSES are proper nouns used to identify:

- (A) asteroids.
- (B) planets.
- (C) spacecrafts.
- (D) missions.
- (E) instruments.

QUESTÃO 7

In the extract: "...HERA intends to discover whether this technique could be an effective way for Earth to defend itself...", the word WHETHER conveys the idea of:

- (A) conclusion.
- (B) result.
- (C) time.
- (D) contrast.
- (E) uncertainty.

QUESTÃO 8

Mark the correct option that presents a paraphrase for the following extract: "If approved by the ESA's ministerial council, the Ramses mission will launch in 2028".

- (A) If the ESA's ministerial council approves the Ramses mission, it will launch in 2028.
- (B) If the ESA's ministerial council would approve, the Ramses mission will launch in 2028.
- (C) If the ESA's ministerial council approved, the Ramses mission will launch in 2028.
- (D) If the ESA's ministerial council approves, the Ramses mission would be launched in 2028.
- (E) If the ESA's ministerial council will approve, the Ramses mission would have been launched in 2028.

QUESTÃO 9

Mark the correct option that presents a paraphrase to the following extract: "The spacecraft used the planet's gravity to get a 'kick'."

- (A) The planet's gravity is being used by the spacecraft to get a 'kick'.
- (B) The planet's gravity was used by the spacecraft to get a 'kick'.
- (C) The spacecraft is 'kicking' the planet's gravity.
- (D) The planet is 'kicking' the spacecraft's gravity.
- (E) The planet's gravity was used for the spacecraft to get a 'kick'.

QUESTÃO 10

According to the text, HERA's main objective was:

- (A) to capture rare images of the red planet's moon Deimos.
- (B) to reach the quite mysterious asteroid Apophis.
- (C) to investigate the scene of a historic collision.
- (D) to test some of its scientific instruments to take pictures.
- (E) to focus on the characteristics of the asteroid Dimorphos.

QUESTÃO 11

Tomando as condições iniciais $y(0) = 3$ e $y'(0) = 2$, resolva a equação diferencial $y'' + 2y' + 3y = 0$ e assinale a opção correta.

- (A) $y(t) = e^{-t} \left(\frac{5\sqrt{2}}{2} \cos(\sqrt{2}t) + 3\text{sen}(\sqrt{2}t) \right)$.
- (B) $y(t) = e^{-t} \left(2\cos(3\sqrt{2}t) + \frac{7\sqrt{2}}{2} \text{sen}(3\sqrt{2}t) \right)$.
- (C) $y(t) = e^{-2t} \left(3\cos(2\sqrt{2}t) + \frac{3\sqrt{2}}{2} \text{sen}(2\sqrt{2}t) \right)$.
- (D) $y(t) = e^{-t} \left(3\cos(\sqrt{2}t) + \frac{5\sqrt{2}}{2} \text{sen}(\sqrt{2}t) \right)$.
- (E) $y(t) = e^{-2t} \left(\frac{5\sqrt{2}}{2} \cos(\sqrt{2}t) + 2\text{sen}(\sqrt{2}t) \right)$.

QUESTÃO 12

Converta o número decimal 293_{10} para o sistema de numeração hexadecimal e assinale a opção que apresenta o número convertido no sistema de numeração binário com 16 bits.

- (A) 0000 0010 0010 0111
- (B) 0000 0001 0010 0101
- (C) 0001 0101 1101 0010
- (D) 0001 0110 0010 0101
- (E) 0000 0101 0010 0001

QUESTÃO 13

Uma fábrica produz componentes eletrônicos e uma inspeção é conduzida periodicamente para verificar se há defeitos de fabricação. Historicamente, 10% dos componentes apresentam defeitos. Quando o produto é defeituoso, o teste detecta corretamente a presença de defeito em 20% das vezes. Quando ele não é defeituoso, ele ainda pode ser identificado incorretamente como defeituoso em 5% das vezes. Um produto foi testado e o resultado foi positivo. Com base nessas informações, a probabilidade de o produto ser realmente defeituoso é de:

- (A) 0.250
- (B) 0.429
- (C) 0.500
- (D) 0.308
- (E) 0.742

QUESTÃO 14

Um sistema linear invariante no tempo apresenta resposta ao impulso dada por $h[n] = 2^{-|n|}$. O valor de sua resposta em frequência $H(e^{j\omega})$ em $\omega = 0$ é dado por:

- (A) 1
- (B) 2
- (C) 3
- (D) 4
- (E) 5

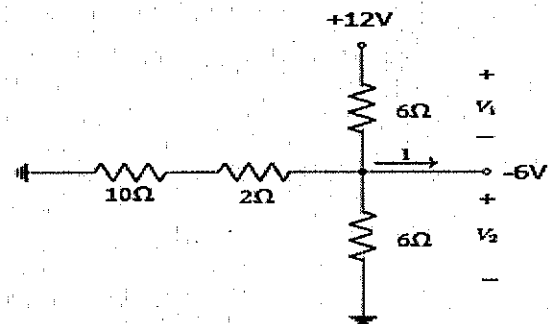
QUESTÃO 15

O tempo (em minutos) que um cliente aguarda para ser atendido em um banco segue uma distribuição exponencial ($f(x) = \lambda e^{-\lambda x}$) com média de 30 minutos. Sendo assim, qual é a probabilidade de um cliente selecionado aleatoriamente aguardar mais 10 minutos para ser atendido, dado que ele já aguardou 30 minutos?

- (A) $e^{-10/30}$
- (B) $e^{-40/30}$
- (C) $e^{-30/10}$
- (D) e^{-1200}
- (E) e^{-300}

QUESTÃO 16

Considere o circuito abaixo.

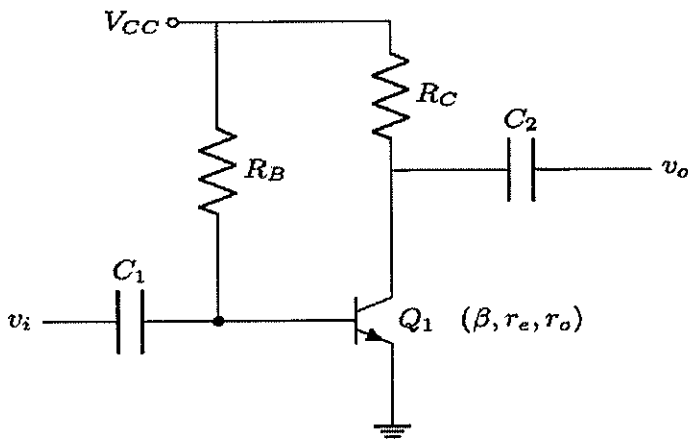


Com base nessas informações, assinale a opção que apresenta os valores corretos das tensões V_1 , V_2 e da corrente I , respectivamente.

- (A) $-6\text{ V}; 18\text{ V}; 4,5\text{ A}$
- (B) $-3\text{ V}; 18\text{ V}; 4\text{ A}$
- (C) $-6\text{ V}; 15\text{ V}; 4,5\text{ A}$
- (D) $-3\text{ V}; 15\text{ V}; 4\text{ A}$
- (E) $-3\text{ V}; 18\text{ V}; 4,5\text{ A}$

QUESTÃO 17

Observe o circuito com transistor bipolar de junção abaixo.

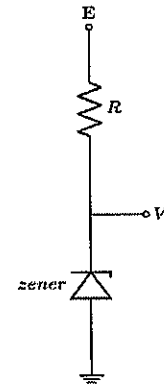


Com base nessas informações, assinale a opção correta.

- (A) Trata-se de um circuito coletor-comum, onde C_1 e C_2 são capacitores de acoplamento.
- (B) Para a análise CA deste circuito, deve-se tornar V_{cc} um curto-circuito e substituir os capacitores C_1 e C_2 por circuito aberto.
- (C) O ganho de tensão v_o/v_i pode ser expresso por $-R_c/r_e$ quando $r_o \geq 10R_c$.
- (D) Há um deslocamento de fase de 90° entre os sinais de entrada (v_i) e saída (v_o).
- (E) O valor de β não é aplicável no modelo de pequenos sinais deste transistor.

QUESTÃO 18

Examine a figura abaixo.



Uma importante aplicação do diodo encontra-se nos reguladores de tensão, onde é explorada a operação na zona de ruptura inversa de diodos especiais, os chamados diodos Zener. Para o regulador sem carga representado na figura acima, considere que o diodo Zener é modelado por uma fonte de tensão fixa V_{Z0} em série com a sua resistência interna r_z . Considerando também a tensão de alimentação E e o resistor R , conforme mostrados na figura acima, assinale a opção que apresenta o valor V_o .

- (A) $V_o = V_{Z0} + r_z \cdot \left(\frac{R+r_z}{E-V_{Z0}}\right)$
- (B) $V_o = V_{Z0} - r_z \cdot \left(\frac{E-V_{Z0}}{R+r_z}\right)$
- (C) $V_o = E - V_{Z0} \cdot \left(\frac{R+r_z}{E-V_{Z0}}\right)$
- (D) $V_o = E + V_{Z0} \cdot \left(\frac{R+r_z}{E-V_{Z0}}\right)$
- (E) $V_o = V_{Z0} + r_z \cdot \left(\frac{E-V_{Z0}}{R+r_z}\right)$

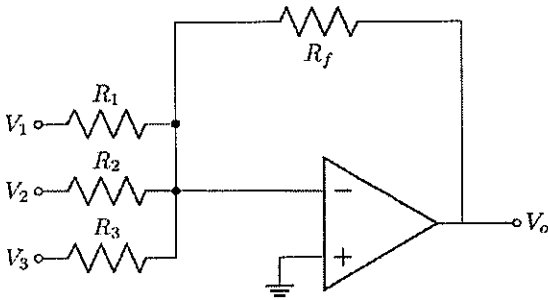
QUESTÃO 19

Seja o produto vetorial dos vetores u e v definidos por $u \times v$ e considere $T: \mathbb{R}^3 \rightarrow \mathbb{R}^3$, definida por $T(u) = u \times (0, 0, 1)$. Qual a imagem do retângulo $Q = \{(x, y, 0) \in \mathbb{R}^3: 1 \leq x \leq 3, -2 \leq y \leq 5\}$ por T ?

- (A) $Q_1 = \{(x, y, 0) \in \mathbb{R}^3: -1 \leq x \leq 3, -5 \leq y \leq 2\}$
- (B) $Q_1 = \{(x, y, 0) \in \mathbb{R}^3: -3 \leq x \leq -1, -5 \leq y \leq 2\}$
- (C) $Q_1 = \{(x, y, 0) \in \mathbb{R}^3: -3 \leq x \leq -1, -2 \leq y \leq 5\}$
- (D) $Q_1 = \{(x, y, 0) \in \mathbb{R}^3: -2 \leq x \leq 5, -3 \leq y \leq 1\}$
- (E) $Q_1 = \{(x, y, 0) \in \mathbb{R}^3: -2 \leq x \leq 5, -3 \leq y \leq -1\}$

QUESTÃO 20

Observe o circuito amplificador somador abaixo. Considere o amplificador operacional como ideal e a tensão de entrada $V_3 = \sin(\omega t + k\frac{\pi}{2})$.



Demais dados:

- $V_1 = \cos(\omega t)$;
- $V_2 = 2\cos(\omega t)$;
- $R_f = 1,2 \text{ k}\Omega$;
- $R_1 = 30 \Omega$;
- $R_2 = 40 \Omega$; e
- $R_3 = 60 \Omega$;

Com base nessas informações, encontre os valores inteiros de k que fazem com que a tensão de saída V_o seja igual a $-120\cos(\omega t)$ e assinale a opção correta.

- (A) $k = 1 + 4n$ (para todo inteiro n)
- (B) $k = 2 + 4n$ (para todo inteiro n)
- (C) $k = 4n$ (para todo inteiro n)
- (D) $k = \pm 1 + 2n$ (para todo inteiro n)
- (E) $k = 1, 3, 5 \dots$ (apenas ímpares)

QUESTÃO 21

O sólido obtido pela rotação da região $\{(x, y) \in \mathbb{R}^2: 0 \leq x \leq \pi, 0 \leq y \leq e^{3x}\}$ em torno do eixo y , tem volume igual a:

- (A) $2\pi (3\pi e^{3\pi} - 2)$
- (B) $\frac{2\pi}{9} ((3\pi + 1)e^{3\pi} + 1)$
- (C) $\frac{2\pi}{3} ((2\pi - 1)e^{3\pi} + 2)$
- (D) $\frac{2\pi}{9} ((3\pi + 2)e^{3\pi} + 3)$
- (E) $\frac{2\pi}{9} ((3\pi - 1)e^{3\pi} + 1)$

QUESTÃO 22

Calcule a soma dos autovalores da matriz abaixo e assinale a opção correta.

$$M = \begin{bmatrix} 3 & 1 & 3 \\ 0 & -2 & 0 \\ 1 & -2 & 1 \end{bmatrix}$$

- (A) -2
- (B) 0
- (C) 2
- (D) 4
- (E) 6

QUESTÃO 23

A taxa de Nyquist para o sinal $\text{sinc}(200t) + \text{sinc}^2(200t)$ é dada por:

- (A) 0,01
- (B) 0,02
- (C) 100
- (D) 200
- (E) 400

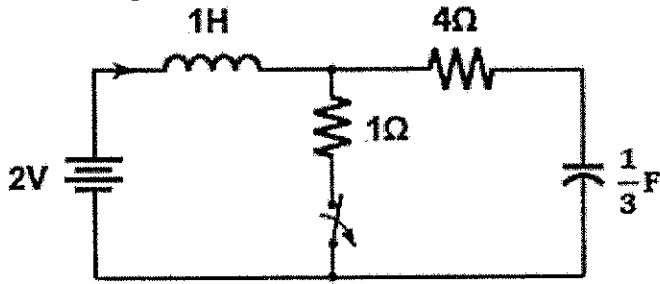
QUESTÃO 24

Um Amplificador Operacional ideal tem as seguintes características, EXCETO:

- (A) ganho de malha aberto (A) infinito.
- (B) impedância de entrada infinita.
- (C) impedância de saída infinita.
- (D) largura de faixa de resposta em frequência infinita.
- (E) ganho de modo comum nulo, ou equivalentemente, rejeição do modo comum infinita.

QUESTÃO 25

Examine a figura abaixo.



Considere o circuito representado pela figura acima, no qual a chave se encontra na posição fechada há um longo tempo até que é aberta instantaneamente em $t = 0$. Determine a corrente do indutor para $t \geq 0$ e assinale a opção correta.

- (A) $\sqrt{5}e^{-t} \cos(2t + 45^\circ) u(t)$
- (B) $-e^{-t}u(t) + 3e^{-3t}u(t)$
- (C) $e^{-t}u(t) - 3e^{-3t}u(t)$
- (D) $3e^{-3t}u(t) - e^{-t}u(t)$
- (E) $-4e^{2t}u(t) + 6e^{3t}u(t)$

QUESTÃO 26

Sejam X e Y variáveis aleatórias contínuas, com função densidade de probabilidade conjunta dada por:

$$f(x, y) = \begin{cases} cxy, & \text{se } 0 < x < 3, 0 < y < 4 \\ 0, & \text{caso contrário} \end{cases}$$

A probabilidade $P(X + Y < 3)$ é dada por:

- (A) $3/8$
- (B) $3/32$
- (C) $1/12$
- (D) $1/8$
- (E) $1/6$

QUESTÃO 27

A variável aleatória contínua X representa o tempo de vida (em anos) de um determinado dispositivo eletrônico. Considere que a densidade de probabilidade de X é dada por:

$$f(x) = \begin{cases} \frac{3}{8}x^2, & 0 < x < 2 \\ 0, & \text{caso contrário} \end{cases}$$

Com base nessas informações, determine a variância de $3X$ e assinale a opção correta.

- (A) 0,15
- (B) 0,45
- (C) 1,35
- (D) 2,40
- (E) 3,51

QUESTÃO 28

A função de transferência de malha aberta de um sistema de controle com realimentação unitária é dada por:

$$G(s) = \frac{K(s - 2)}{(s + 1)(s^2 + 6s + 25)}$$

Supondo que $K > 0$, determine o intervalo de valores de K compatíveis com a estabilidade do sistema e assinale a opção correta.

- (A) $0 < K < 6,25$
- (B) $0 < K < 12,5$
- (C) $0 < K < 25$
- (D) $K > 6,25$
- (E) $K > 12,5$

QUESTÃO 29

Um sistema linear invariante no tempo é descrito pela seguinte equação de diferenças:

$$y[n] - 0,75y[n - 1] + 0,125y[n - 2] = 2x[n]$$

Considerando a entrada $x[n] = u[n]$, onde $u[n]$ é a função degrau unitário, a resposta do sistema ao estado nulo para $n \geq 0$ será dada por:

- (A) $\frac{16}{3} - 4\left(\frac{1}{2}\right)^n + \frac{2}{3}\left(\frac{1}{4}\right)^n$
- (B) $\frac{8}{3} - 2\left(\frac{1}{2}\right)^n + \frac{1}{3}\left(\frac{1}{4}\right)^n$
- (C) $\frac{5}{4}\left(\frac{1}{2}\right)^n - \frac{3}{8}\left(\frac{1}{4}\right)^n$
- (D) $\frac{16}{3} + 4\left(\frac{1}{2}\right)^n - \frac{2}{3}\left(\frac{1}{4}\right)^n$
- (E) $2 - 4\left(\frac{1}{2}\right)^n + \frac{2}{3}\left(\frac{1}{4}\right)^n$

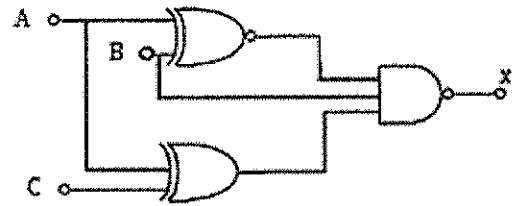
QUESTÃO 30

Calcule o valor do trabalho realizado pela força $F = (x^2y, y^3x^2)$, ao longo da curva C, definida pelos eixos cartesianos e pelas retas $x = 2$ e $y = 3$, no sentido horário e assinale a opção correta.

- (A) -92J
- (B) -73J
- (C) -57J
- (D) +62J
- (E) +89J

QUESTÃO 31

Examine a figura abaixo.



Partindo da figura acima, determine as condições de entrada necessárias para que a saída X possua valor baixo e assinale a opção correta.

- (A) $A = 1, B = 1$ e $C = 0$.
- (B) $A = 1, B = 1$ e $C = 1$.
- (C) $A = 0, B = 0$ e $C = 1$.
- (D) $A = 1, B = 0$ e $C = 0$.
- (E) $A = 0, B = 1$ e $C = 1$.

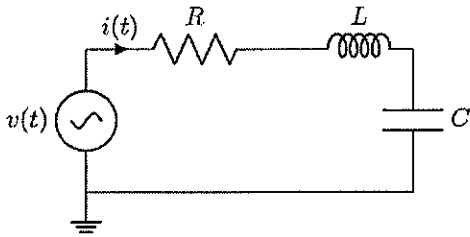
QUESTÃO 32

Seja $F(x, y, z) = (x^2, byz, cy^2)$ um campo vetorial definido no R^3 , com constantes reais b e c. Sabendo que F é um campo conservativo, ache a relação entre as constantes e assinale a opção correta.

- (A) $2b = 3c$.
- (B) $b = 2c$.
- (C) $3b = 2c$.
- (D) $c = 2b$.
- (E) $4b = 3c$.

QUESTÃO 33

Considere o circuito a abaixo.



Dados:

$$V(t) = 10\text{sen}(500t)V;$$

$$R = 10 \Omega;$$

$$L = 20 \text{ mH}; \text{ e}$$

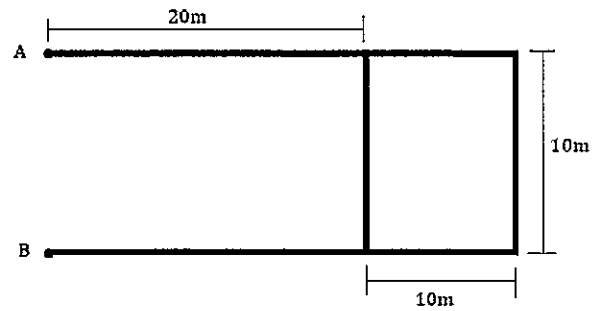
$$C = 100 \mu F.$$

Calcule a corrente eficaz I que flui no circuito e assinale a opção correta.

- (A) $I = 0,2 \text{ A}$
- (B) $I = 1 \text{ A}$
- (C) $I = 0,35 \text{ A}$
- (D) $I = 0,5 \text{ A}$
- (E) $I = 0,71 \text{ A}$

QUESTÃO 34

Examine a figura abaixo.



O circuito acima é formado por fios que possuem 2 mm^2 de seção transversal e resistividade de $0,4 \frac{\Omega}{\text{m}}$. Calcule a resistência equivalente entre os pontos A e B (em Ω) e assinale a opção correta.

- (A) $\frac{13}{9}$
- (B) 7
- (C) $\frac{15}{2}$
- (D) 8
- (E) $\frac{19}{2}$

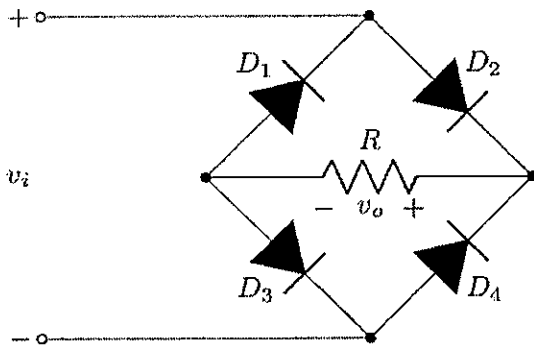
QUESTÃO 35

Um sinal de frequência 2kHz modula uma portadora de amplitude 10V e frequência de 1MHz em amplitude com índice de modulação 0,8. A potência total do sinal modulado, assumindo uma carga de 1Ω , é dada por:

- (A) 50W
- (B) 66W
- (C) 90W
- (D) 70W
- (E) 82W

QUESTÃO 36

Observe o circuito abaixo.

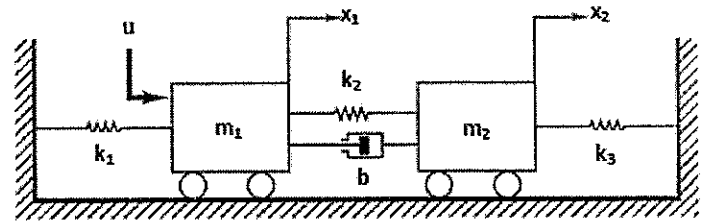


Com relação ao circuito acima, considere os componentes ideais e assinale a opção correta.

- (A) O circuito representa um *retificador de meia-onda* utilizando quatro diodos em uma configuração em *ponte*.
- (B) Quando a tensão v_i é negativa, D_3 e D_4 conduzem, enquanto D_1 e D_2 estão reversamente polarizados.
- (C) Durante ambos os semiciclos da tensão de entrada v_i , a tensão de saída v_o mantém polaridade positiva, correspondendo ao valor absoluto da tensão aplicada.
- (D) Em conversores CA/CC, é necessário que a tensão v_i seja oriunda da saída de um transformador que amplifica o sinal da rede.
- (E) A tensão média de v_o é igual à tensão média de v_i , embora suas formas de onda sejam diferentes.

QUESTÃO 37

Examine a figura abaixo.

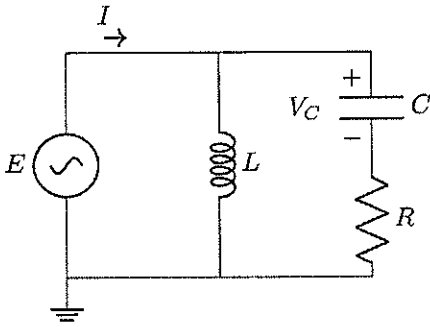


Considere o sistema mecânico linear ilustrado na figura acima, constituído de dois corpos de massas m_1 e m_2 , três molas de constantes elásticas k_1 , k_2 e k_3 e um amortecedor a pistão com coeficiente de atrito viscoso b . O sistema se encontra em repouso para $t < t_1$. Em $t = t_1$, uma força de intensidade u é aplicada no corpo de massa m_1 . Com base nessas informações, determine a função de transferência $X_1(s)/U(s)$ e assinale a opção correta.

- (A)
$$\frac{m_2 s^2 + bs + k_2 + k_3}{(m_1 s^2 + bs + k_1 + k_2)(m_2 s^2 + bs + k_2 + k_3) - (bs + k_2)^2}$$
- (B)
$$\frac{bs + k_2}{(m_1 s^2 + bs + k_1 + k_2)(m_2 s^2 + bs + k_2 + k_3) - (bs + k_2)^2}$$
- (C)
$$\frac{k_2 + k_3}{(m_1 s^2 + bs + k_1 + k_2)(m_2 s^2 + bs + k_2 + k_3) + k_2 + k_3}$$
- (D)
$$\frac{m_1 s^2 + bs + k_1 + k_2}{(m_1 s^2 + bs + k_1 + k_2)(m_2 s^2 + bs + k_2 + k_3) + k_2 + k_3}$$
- (E)
$$\frac{bs + k_2}{(m_1 s^2 + bs + k_1 + k_2)(m_2 s^2 + bs + k_2 + k_3) + k_2 + k_3}$$

QUESTÃO 38

Analise o circuito abaixo.



Dados:

$$E = 10 V \angle 20^\circ;$$

$$X_L = 5 \Omega;$$

$$X_C = 3 \Omega;$$

$$R = 4 \Omega; \text{ e}$$

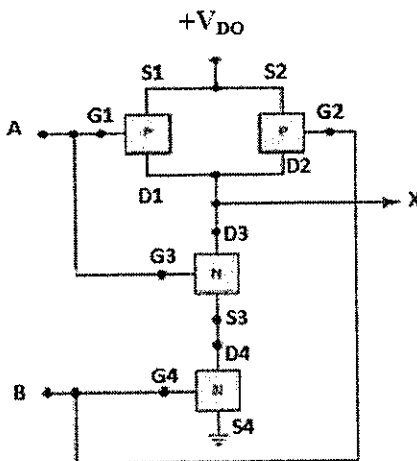
$$\tan^{-1}(-3/4) \approx -37^\circ.$$

Com base nessas informações, assinale a opção que apresenta a tensão V_c sobre o capacitor e a corrente I_L no indutor.

- (A) $V_c = 10 \angle -33^\circ; e I_L = 2 \angle 110^\circ.$
- (B) $V_c = 6 \angle -33^\circ; e I_L = 2 \angle -70^\circ.$
- (C) $V_c = 15 \angle -107^\circ; e I_L = 2 \angle -110^\circ.$
- (D) $V_c = 10 \angle -147^\circ; e I_L = 2 \angle 70^\circ.$
- (E) $V_c = 6 \angle -107^\circ; e I_L = 2 \angle -70^\circ.$

QUESTÃO 39

A família de CI's CMOS surgiu como uma grande evolução em relação às famílias TTL. Observe o circuito abaixo de uma porta lógica CMOS e assinale a opção que apresenta a porta lógica que ela representa.



- (A) NXOR
- (B) XOR
- (C) OR
- (D) AND
- (E) NAND

QUESTÃO 40

Analise a função de transferência de determinado circuito apresentada abaixo, onde $\frac{V_o(s)}{V_i(s)}$ representa a razão no domínio s entre as tensões $\frac{v_o(t)}{v_i(t)}$, e as condições iniciais são nulas.

$$\frac{V_o(s)}{V_i(s)} = \frac{1}{LCs^2 + RCs + 1}$$

Pode-se dizer que o circuito representado por essa função é um circuito:

- (A) RLC em série, em que o sinal $v_o(t)$ é medido sobre o indutor L.
- (B) LC em paralelo, onde R representa a resistência interna do capacitor C.
- (C) RLC em série, em que o sinal $v_o(t)$ é medido sobre o capacitor C.
- (D) LC em paralelo, com dois capacitores de valor C e um indutor L.
- (E) RLC em série, em que o sinal $v_o(t)$ é medido sobre o resistor R.

QUESTÃO 41

Considere o sistema definido por:

$$\dot{x} = \begin{bmatrix} 0 & 1 \\ -2 & -3 \end{bmatrix} x + \begin{bmatrix} 0 \\ 1 \end{bmatrix} u$$

$$y = [1 \ 0]x$$

Encontre a resposta $y(t)$ para uma entrada degrau unitário, assumindo condições iniciais nulas e assinale a opção correta.

- (A) $y(t) = 1 - e^{-t} + e^{-2t}$
- (B) $y(t) = \frac{1}{2} - e^{-t}$
- (C) $y(t) = e^{-t} - e^{-2t}$
- (D) $y(t) = 1 - 2e^{-t} + e^{-2t}$
- (E) $y(t) = \frac{1}{2} - e^{-t} + \frac{1}{2}e^{-2t}$

QUESTÃO 42

Sobre os fotodiodos e os diodos emissores de luz (LEDs), assinale a opção INCORRETA.

- (A) Um isolador óptico é uma aplicação que combina um fotodiodo com um LED.
- (B) Ao contrário do LED, o fotodiodo converte sinais luminosos em eletricidade.
- (C) Fotodiodos iluminados sem polarização inversa funcionam como células solares.
- (D) LEDs são equivalentes a fotodiodos quando polarizados reversamente.
- (E) Um isolador óptico pode ser implementado com fibra óptica de longa distância.

QUESTÃO 43

Uma dada região esférica do espaço possui campo elétrico $E(r)$, descrito abaixo, onde \hat{r} é o vetor unitário na direção radial e $E(r)$ é dado em V/m.

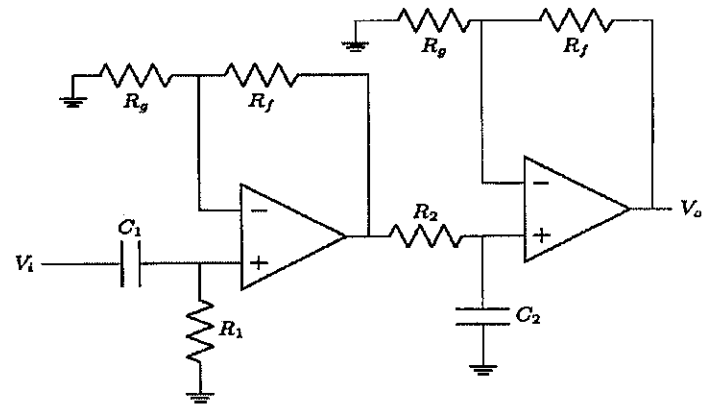
$$E(r) = \begin{cases} \frac{(2-r)^2}{4} - 1, & 0 \leq r \leq 4 \\ 0, & r > 4 \end{cases}$$

Sendo assim, calcule a densidade volumétrica de cargas dentro dessa região e assinale a opção correta.

- (A) $\epsilon_0 (r - 3)$
- (B) $\epsilon_0 (r^2 + 3)$
- (C) $\epsilon_0 \left(\frac{r-2}{2}\right)$
- (D) $\epsilon_0 \left(\frac{2r-1}{2}\right)$
- (E) $\epsilon_0 (r^2 - 4)$

QUESTÃO 44

O circuito abaixo representa um filtro ativo com amplificadores operacionais ideais.



Dados:

$$R_1 = R_2 = 20 \text{ k}\Omega;$$

$$C_1 = 0,2 \text{ }\mu\text{F};$$

$$C_2 = 0,001 \text{ }\mu\text{F}; \text{ e}$$

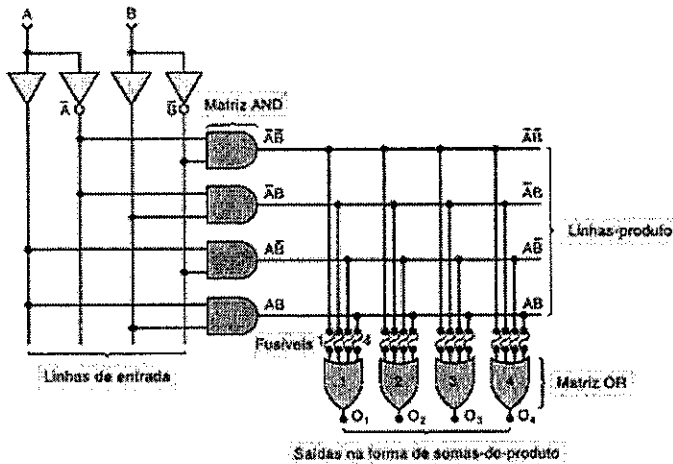
$$\pi \approx 3.$$

Com base nessas informações, assinale a opção que apresenta qual tipo de filtro e sua(s) respectiva(s) frequência(s) de corte.

- (A) *Passa - alta* ; 50 kHz.
- (B) *Passa - baixa*; 250 Hz .
- (C) *Passa - faixa*; 41,67 Hz e 8,33 kHz.
- (D) *Rejeita - faixa*; 41,67 Hz e 8,33 kHz.
- (E) *Passa - faixa*; 250 Hz e 8,33 kHz.

QUESTÃO 45

Examine a figura abaixo.

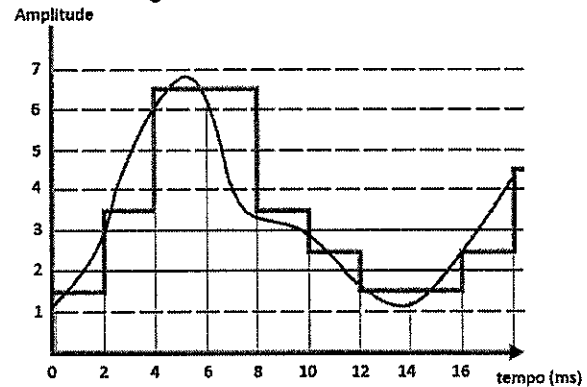


O advento dos PLD's (*Programmable Logic Devices*) foi um grande avanço para a área da eletrônica digital, pois permite concentrar as funcionalidades de vários CI's em apenas um. Sendo assim, analise a figura acima e assinale a opção INCORRETA. (Considere os fusíveis numerados de forma crescente da esquerda para direita).

- (A) Se queirmos os fusíveis 1 e 2 da porta OR 1, a saída O_1 será A.
- (B) Se queirmos os fusíveis 1 e 3 da porta OR 2, a saída O_2 será B.
- (C) Se queirmos os fusíveis 1 e 3 da porta OR 1, a saída O_1 será B.
- (D) Se queirmos os fusíveis 2 e 3 da porta OR 1, a saída O_1 será AB.
- (E) Se queirmos os fusíveis 3 e 4 da porta OR 1, a saída O_1 será A.

QUESTÃO 46

Examine a figura abaixo.



A figura acima ilustra a versão amostrada de um sinal analógico ao qual é aplicada modulação por codificação de pulso (PCM). Utiliza-se um quantizador uniforme de 3 bits e codificação binária natural, ou seja, em que os códigos empregados seguem a contagem binária natural de 000 até 111 à medida que a amplitude do sinal cresce. O sinal analógico original varia entre 0V e 8V. Com base nessas informações, assinale a alternativa que apresenta o código binário resultante para o intervalo de tempo ilustrado acima.

- (A) 000010101101010001000000001
- (B) 000010101101010001100000001
- (C) 001011110110011010001001010
- (D) 001011110110011010000001010
- (E) 001011110110010010001001010

QUESTÃO 47

Uma máquina térmica é composta por um refrigerador acoplado a um motor da seguinte forma:

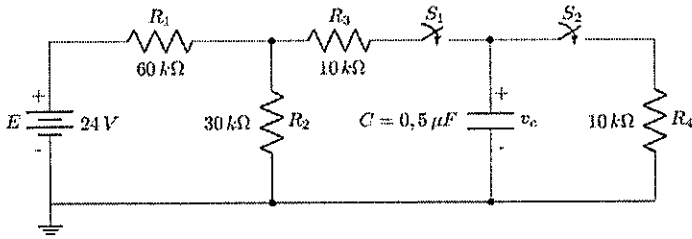
- I- O calor da fonte quente do refrigerador é utilizado como fonte quente do motor, com temperatura de 27°C .
- II- O motor fornece um trabalho de 2,4kW, com um rendimento de Carnot de 0,6.
- III- A fonte fria do refrigerador está a 7°C .
- IV- Considere as máquinas como Carnotianas.

A partir do exposto acima, calcule o trabalho do refrigerador (em kW) e assinale a opção correta.

- (A) 0,267
- (B) 0,512
- (C) 0,895
- (D) 1,023
- (E) 1,217

QUESTÃO 48

Observe o circuito abaixo com as chaves S_1 e S_2 inicialmente abertas e assinale a opção correta.



Dados:

No instante $t = 0 s$, a chave S_1 é fechada;

No instante $t = 30 ms$, a chave S_1 é aberta e a chave S_2 é fechada; e

$$e^{-2} = 0,14.$$

- (A) Em $t = 0 s$, o circuito equivalente de Thévenin ao capacitor C possui resistência de Thévenin R_{Th} igual a $20 k\Omega$.
- (B) A expressão matemática para o comportamento transitório da tensão v_c , em função do tempo, a partir do instante $t = 0 s$ é igual a $5 V(1 - e^{-t/(15 ms)})$.
- (C) No instante $t = 30 ms$, pode-se dizer que o capacitor C inicia a sua descarga após ter sido praticamente todo carregado (cerca de 99% da tensão máxima).
- (D) A expressão matemática para o comportamento transitório da tensão v_c , em função do tempo, a partir do instante $t = 30 ms$ é igual a $6,88 V e^{-(t-30 ms)/(5 ms)}$.
- (E) Para fins práticos, pode-se dizer que, no instante $t = 40 ms$, o capacitor C estará descarregado (menos de 1% da tensão inicial).

QUESTÃO 49

Simplifique a expressão $y = \overline{(A + B)}\overline{C} + A\overline{B}C + B(\overline{C} + \overline{A}) + AB + AC$ e assinale a opção correta.

- (A) $y = AB + AC + \overline{B}\overline{C}$.
- (B) $y = A + BC + \overline{B}\overline{C}$.
- (C) $y = BC + AC + \overline{A}\overline{C}$.
- (D) $y = AC + B + \overline{C}$.
- (E) $y = AB + C + \overline{A}\overline{B}$.

QUESTÃO 50

A respeito dos amplificadores de potência, analise as afirmativas abaixo e assinale a opção correta.

- I- A eficiência (em potência) de um amplificador aumenta partindo da classe A até a classe D.
 - II- O amplificador de classe C é projetado para operar com sinais pulsados/digitais.
 - III- A saída de um amplificador de classe AB é polarizada para uma operação em menos de 180° .
 - IV- Para garantir saída para o ciclo de operação (360°) com amplificadores de classe B, são necessárias duas operações: uma para o semiciclo positivo e outra para o negativo.
 - V- A distorção em amplificadores não ideais pode ser descrita por meio de sua frequência fundamental e seus componentes harmônicos.
- (A) Apenas as afirmativas I, II e IV estão corretas.
 - (B) Apenas as afirmativas I, IV e V estão corretas.
 - (C) Apenas as afirmativas I, II, III e V estão corretas.
 - (D) Apenas as afirmativas II, III, e IV estão corretas.
 - (E) Apenas as afirmativas IV e V estão corretas.

PROVA DE REDAÇÃO

INSTRUÇÕES

1. A redação deverá ser uma dissertação argumentativa com ideias coerentes, claras e objetivas, em língua portuguesa e com letra legível. Se utilizada a letra de forma (caixa-alta), as letras maiúsculas deverão receber o devido realce;
2. Deverá ter, no mínimo, 15 (quinze) linhas contínuas, considerando o recuo dos parágrafos, e, no máximo, 30 (trinta) linhas. Não poderá conter qualquer marca identificadora ou assinatura, o que implicará a atribuição de nota zero;
3. Os trechos da redação que contiverem cópias dos textos de apoio ao tema proposto ou dos textos do caderno de prova serão desconsiderados para a correção e para a contagem do número mínimo de linhas;
4. O candidato deverá dar um título à redação; e
5. O rascunho deverá ser feito em local apropriado.

TEXTO I

De modo semelhante à Amazônia Verde, localizada em terra, a chamada Amazônia Azul é uma região de fronteira que apresenta, simultaneamente, muitas oportunidades e grandes desafios ao Brasil. Sua imensidão representa um desafio para o Estado brasileiro, especialmente para as suas Forças Armadas, que têm a missão de monitorá-la, controlar as movimentações que nela acontecem e, quando necessário, impedir que atores externos tenham acesso a ela. Para que esse desafio seja cumprido, é preciso que as Forças Armadas, especialmente a Marinha do Brasil, sejam devidamente equipadas para conduzir a missão de vigiar e defender a fronteira marítima brasileira, protegendo suas riquezas e assegurando a manutenção de fluxos vitais à vida nacional.

(Fonte: ANDRADE, Israel de Oliveira; FRANCO, Luiz Gustavo Aversa. *A Amazônia Azul como fronteira marítima do Brasil: importância estratégica e imperativos para a defesa nacional*. cap.5, p. 152. In: PÉGO, Bolívar et al (orgs). *Fronteiras do Brasil: uma avaliação de política pública*. vol 1. Rio de Janeiro: Ipea, MI, 2018. Texto adaptado.)

TEXTO II

Para o cumprimento das ações de fiscalização e proteção, e também das atividades subsidiárias da Marinha, o Estado-Maior da Armada encaminhou ao Ministério da Defesa um projeto criando o Sistema de Gerenciamento da Amazônia Azul (SisGAAZ). Este projeto, entre outros sistemas, prevê a utilização de satélites de sensoriamento remoto e aeronaves de patrulha marítima baseadas em terra para a proteção de instalações de prospecção e extração de petróleo e também para controle de área marítima. Dentro deste contexto, há ainda outro tipo de meio que pode complementar ou mesmo substituir os acima citados em missões sobre o mar: os Veículos Aéreos Não Tripulados (VANT). Desenvolvidos inicialmente a partir de *drones* utilizados como alvo para treinamento de tiro antiaéreo, são aeronaves não tripuladas que podem voar autonomamente ou pilotadas por controle remoto.

(Fonte: OLIVEIRA, André Marcet de. *Emprego dos veículos aéreos não tripulados no sistema de gerenciamento da Amazônia Azul*. Rio de Janeiro: Escola de Guerra Naval, 2008. p.3-4. (monografia) Texto adaptado.)

TEXTO III

A Marinha do Brasil, em parceria com agências e órgãos governamentais, coordena a implementação e o aperfeiçoamento do Sistema de Gerenciamento da Amazônia Azul (SisGAAZ), cuja missão é monitorar e proteger, continuamente, as áreas marítimas de interesse e as águas interiores, seus recursos vivos e não vivos, seus portos, embarcações e infraestruturas, em face de ameaças, emergências, desastres ambientais, hostilidades ou ilegalidades, a fim de contribuir para a segurança e a defesa da Amazônia Azul e para o desenvolvimento nacional. O SisGAAZ integra equipamentos e sistemas compostos por radares localizados em terra e embarcações, além de câmeras de alta resolução e capacidades, como a compilação de informações recebidas de sistemas colaborativos.

(Fonte: <https://www.marinha.mil.br/sisgaaz-protacao-e-monitoramento-das-aguas-jurisdicionais-brasileiras>. Acesso em: 11 de junho de 2024. Texto adaptado.)

TEXTO IV

Segundo a Marinha do Brasil, uma lancha não tripulada desenvolvida pelo Centro de Análises de Sistemas Navais (CASNAV) está apta para entrar em operação. O Veículo de Superfície Não Tripulado - Experimental (VSNT-E) deve ser usado para monitoramento e fiscalização do litoral brasileiro e surgiu a partir da conversão da lancha URCA-III, também da Marinha. A embarcação passou pela instalação de uma série de sistemas eletrônicos que permitem a operação remota. Este tipo de tecnologia está cada vez mais presente nas atividades que envolvem risco, repetição ou ambientes adversos de operação. Suas principais vantagens são, primeiramente, a não expor a vida de operadores a riscos inerentes a determinadas regiões de operação, como por exemplo, em operações de varredura de minas. Outra vantagem é reduzir custo da operação e a complexidade da logística atrelada. Por último, expandir a capacidade de sensores para aplicação no Sistema de Gerenciamento da Amazônia Azul (SisGAAZ).

(Fonte: <https://oglobo.globo.com/brasil/noticia/2022/06/marinha-apresenta-lancha-nao-tripulada-que-sera-usada-para-fiscalizar-o-litoral-brasileiro-veja-video.ghtml>. Acesso em: 16 de junho de 2025. Texto adaptado.)

PROPOSTA DE REDAÇÃO - A partir da leitura dos textos de apoio e de suas reflexões, redija uma dissertação argumentativa a respeito do tema “**O desenvolvimento de veículos autônomos para a vigilância da Amazônia Azul**”. Dê um título ao seu texto.


RASCUNHO PARA REDAÇÃO

TÍTULO:

1	
2	
3	
4	
5	
6	
7	
8	
9	
10	
11	
12	
13	
14	
15	
16	
17	
18	
19	
20	
21	
22	
23	
24	
25	
26	
27	
28	
29	
30	

INSTRUÇÕES GERAIS AO CANDIDATO

- 1 - Verifique se a prova recebida e a folha de respostas são da mesma cor (consta no rodapé de cada folha a cor correspondente) e se não faltam questões ou páginas: o caderno é composto por uma prova escrita objetiva com **50 questões** de múltipla escolha e uma prova de Redação.
- 2 - O tempo para a realização da prova será de **5 (cinco) horas**, incluindo o tempo necessário à Redação e à marcação das respostas na folha de respostas, e não será prorrogado;
- 3 - Só inicie a prova após ser autorizado pelo Fiscal, interrompendo sua execução quando determinado;
- 4 - Iniciada a prova, não haverá mais esclarecimentos. O candidato somente poderá deixar seu lugar, devidamente autorizado pelo Supervisor/Fiscal, para se retirar definitivamente do recinto de prova ou, nos casos abaixo especificados, devidamente acompanhado por militar designado para esse fim:
 - atendimento médico por pessoal designado pela Marinha do Brasil;
 - fazer uso de banheiro; e
 - casos de força maior, comprovados pela supervisão do certame, sem que aconteça saída da área circunscrita para a realização da prova.
 Em nenhum dos casos haverá prorrogação do tempo destinado à realização da prova; em caso de retirada definitiva do recinto de prova, esta será corrigida até onde foi solucionada;
- 5 - Confira nas folhas de questões as respostas que você assinalou como corretas antes de marcá-las na folha de respostas. Cuidado para não marcar duas opções para uma mesma questão na folha de respostas (a questão será perdida);
- 6 - Ao final do caderno de prova, foram disponibilizadas **03** folhas para rascunho, além dos espaços disponíveis nas folhas de questões, mas só serão corrigidas as respostas marcadas na folha de respostas;
- 7 - O tempo mínimo de permanência dos candidatos no recinto de aplicação de provas é de **150 minutos**.
- 8 - Será eliminado sumariamente do processo seletivo/concurso e suas provas não serão levadas em consideração o candidato que:
 - a) der ou receber auxílio para a execução da Prova;
 - b) utilizar-se de qualquer material não autorizado;
 - c) desrespeitar qualquer prescrição relativa à execução da Prova;
 - d) escrever o nome ou introduzir marcas identificadoras noutro lugar que não o determinado para esse fim; e
 - e) cometer ato grave de indisciplina.
- 9 - Escreva e assine corretamente seu nome completo, coloque seu número de inscrição e o dígito verificador (DV) apenas nos locais indicados;
 Instruções para o preenchimento da folha de respostas:
 - a) use caneta esferográfica azul ou preta de material transparente;
 - b) escreva seu nome completo, sem abreviatuas, em letra legível no local indicado;
 - c) assine seu nome no local indicado;
 - d) no campo inscrição DV, escreva seu número de inscrição nos retângulos, da esquerda para a direita, um dígito em cada retângulo. Escreva o dígito correspondente ao DV no último retângulo. Após, cubra todo o círculo correspondente a cada número. Não amasse, dobre ou rasgue a folha de respostas, sob pena de ser rejeitada pelo equipamento de leitura ótica que a corrigirá; e
 - e) só será permitida a troca de folha de respostas até o início da prova, por motivo de erro no preenchimento nos campos nome, assinatura e número de inscrição, sendo de inteira responsabilidade do candidato qualquer erro ou rasura na referida folha de respostas, após o início da prova.
- 10 - Preencha a folha com atenção de acordo com o exemplo abaixo:



Nome: **ROBERTO SILVA**

Assinatura: **Roberto Silva**

Instruções de Preenchimento

- * Não rasure esta folha.
- * Não rabisque nas áreas de respostas.
- * Faça marcas sólidas nos círculos.
- * Não use canetas que borrem o papel.

ERRADO:

CORRETO:

PREENCHIMENTO DO CANDIDATO

INSCRIÇÃO						DV
5	7	0	2	0	7	0

Assinatura de Ensino

P	G
2	4

01	02	03	04	05	06	07	08	09	10	11	12	13	14	15	16	17	18	19	20	21	22	23	24	25	26	27	28	29	30	31	32	33	34	35	36	37	38	39	40	41	42	43	44	45	46	47	48	49	50
----	----	----	----	----	----	----	----	----	----	----	----	----	----	----	----	----	----	----	----	----	----	----	----	----	----	----	----	----	----	----	----	----	----	----	----	----	----	----	----	----	----	----	----	----	----	----	----	----	----

T
A
R
J
A

- 11 - Será autorizado ao candidato levar a prova faltando 30 minutos para o término do tempo previsto de realização do concurso. Ressalta-se que o caderno de prova levado pelo candidato é de preenchimento facultativo, e não será válido para fins de recursos ou avaliação.
- 12 - O candidato que não desejar levar a prova está autorizado a transcrever suas respostas, dentro do horário destinado à solução da prova, no modelo de gabarito impresso no fim destas instruções. É proibida a utilização de qualquer outro tipo de papel para anotação do gabarito.
- 13 - O modelo de gabarito somente poderá ser destacado **PELO FISCAL** e após a entrega definitiva da prova pelo candidato. Caso o modelo de gabarito seja destacado pelo candidato, este será eliminado.

ANOTE SEU GABARITO										PROVA DE COR														
1	2	3	4	5	6	7	8	9	10	11	12	13	14	15	16	17	18	19	20	21	22	23	24	25
26	27	28	29	30	31	32	33	34	35	36	37	38	39	40	41	42	43	44	45	46	47	48	49	50