

MARINHA DO BRASIL
SERVIÇO DE SELEÇÃO DO PESSOAL DA MARINHA

**CONCURSO PÚBLICO PARA INGRESSO NOS QUADROS
COMPLEMENTARES DE OFICIAIS DA MARINHA
(CP-QC-CA E QC-FN / 2023)**

**ESTÁ AUTORIZADA A UTILIZAÇÃO DE
CALCULADORA PADRÃO NÃO CIENTÍFICA**

MÁQUINAS

ENGENHARIA AERONÁUTICA	ENGENHARIA DE PETRÓLEO
ENGENHARIA AMBIENTAL E SANITÁRIA	ENGENHARIA DE PRODUÇÃO
ENGENHARIA CIVIL	ENGENHARIA ELÉTRICA
ENGENHARIA DE BIOPROCESSOS	ENGENHARIA MECÂNICA
ENGENHARIA CARTOGRÁFICA E DE AGRIMENSURA	ENGENHARIA MECÂNICA DE VEÍCULOS MILITARES
ENGENHARIA DE CONTROLE E AUTOMAÇÃO	ENGENHARIA METALÚRGICA
ENGENHARIA DE FORTIFICAÇÃO E CONSTRUÇÃO	ENGENHARIA NAVAL
ENGENHARIA DE MATERIAIS	ENGENHARIA NUCLEAR
ENGENHARIA DE MINAS	ENGENHARIA QUÍMICA

Read the text below and answer questions 1 and 2.

Becoming More Collaborative - When You Like to Be in Control

Successful leaders can fall into the trap of thinking they know what's best for their team or organization. After all, they worked hard to get where they are and have made many tough decisions along the way. However, some leaders rely too heavily on their ability to make decisions on their own - with steep consequences for themselves, their team, and the organization. When leaders who are used to calling all the shots start working with peers and stakeholders, they sometimes find themselves at odds. Unless they pivot their decision-making style and reposition themselves as open-minded, collaborative leaders, they might be putting their future success on the line. Gallup research estimates that the cost of poor leadership and lost productivity can tally up to \$ 1.2 trillion dollars per year due to disengaged employees. If you want to be known as an influential leader, you must encourage your team's engagement, collaboration, and accountability for collective goals and decisions. Here are some ways to get started:

I. _____

If you focus more on immediate outcomes, consider the eventual consequences of your decisions, as well as the "second-degree consequences": the indirect or unintended results of your decision. For example, if you decide to lay off employees to cut costs, you immediately reduce payroll expenses. However, the second-degree consequence may include a negative impact on employee morale, a loss of institutional knowledge, and a potential decrease in productivity.

II. _____

You must acknowledge that your way is not the only way. Asking for input is not a weakness; on the contrary, it's an advantage that will only make your decision-making more effective. When you focus your decision-making solely on your inner beliefs and experiences, you limit your inputs. When you shift your focus to be more inclusive and take the time to search for external factors and perspectives, your rate of success will increase.

III. _____

New inputs and options will bring better information that most likely wasn't on your radar and foster creativity, collaboration, and engagement. You, as the leader, must draw information from all sources, thus making sure everyone on your team has their say.

IV. _____

Overconfident leaders tend to lead with positions. They stake out their own viewpoint and try to convince others to see it, accept it, and go along with it. Positions are inflexible and leave little room for collaboration. This leads to confrontations and a winner-takes-all attitude.

V. _____

The higher you are in the organization, the more you'll depend on others to execute your vision and goals.

Winning becomes a team sport. Thus, learning to nurture, empower, and motivate your group is essential, especially when it comes to decision-making.

(Adapted and abridged from <https://hbr.org/2023/03/becoming-more-collaborative-when-you-like-to-be-in-control>)

QUESTÃO 1

In relation to the vocabulary underlined in the first paragraph of the text, we can only affirm that:

- (A) "tally" (paragraph 1) is similar to the word *correspond*.
- (B) "tough" (paragraph 1) can be replaced by the word *shaky*.
- (C) "steep" (paragraph 1) and the word *gradual* are synonyms.
- (D) "pivot" (paragraph 1) and the word *turn* express opposing ideas.
- (E) "calling all the shots" (paragraph 1) is the same as *bringing all to operation*.

QUESTÃO 2

The topics below have been removed from the text. Number these topics in order of appearance to complete the text correctly. Then choose the option that contains the right sequence.

- () Be thorough
- () Be a long-term thinker
- () Seek different perspectives
- () Engage your team in the process
- () Change your position into an option

- (A) (I) (V) (IV) (II) (III)
- (B) (I) (III) (IV) (V) (II)
- (C) (II) (I) (III) (V) (IV)
- (D) (II) (III) (I) (IV) (V)
- (E) (III) (I) (V) (II) (IV)

Read the text below and answer questions 3 and 4.

High-Seas Search for 39 Crewmembers of Capsized Chinese Fishing Vessel

A multinational search is underway in the Indian Ocean for the crew of a Chinese fishing vessel that capsized with a crew of 39 aboard. China's President Xi Jinping has ordered the departments of the Chinese government to launch the search while thanking international participants and welcoming their assistance.

The Australian Maritime Safety Agency (AMSA) was the first to detect the vessel's distress, reporting that they picked up the signal from a distress beacon early on the morning of May 16. An investigation determined that the distress signal was coming from the Chinese fishing vessel *Lu Peng Yuan Yu 028*, owned by PenglaiJinglu Fishery based in Shandong. The vessel's last known position is said to be south of the Maldives with AMSA saying it was approximately 5,000 km (3,100 miles) northwest of Perth, Australia.

A bulk carrier, the Panama-flagged *Navios Taurus* (76,596 dwt) outbound from China to Brazil was in the area. AMSA reports that the bulker reached the area late yesterday. They reported finding an upturned hull and no signs of survivors.

The *Lu Peng Yuan Yu 028* is reported to be 1,400 tons with the vessel's registry with the North Pacific Fisheries Commission showing that it had a maximum crew of 60.

Informed of the incident, President Xi ordered an all-out rescue effort to be launched. A spokesperson for China's Ministry of Foreign Affairs said during his daily briefing today that Xi Jinping asked the Foreign Ministry and relevant diplomatic missions to be in touch with their international counterparts to coordinate the rescue efforts. The resources of Australia, Sri Lanka, the Maldives, Indonesia, and the Philippines are all providing assistance or monitoring the situation.

"Chinese and foreign vessels have arrived at relevant waters and the search and rescue operation is intensively underway. More help is on the way. We will continue to work together with relevant sides to do everything possible to find those who have gone missing", the spokesperson said in response to questions.

CCTV reports that two Chinese vessels were heading to the scene. The Australian Defense Force also sent a Poseidon aircraft to assist with the long-range search. AMSA also reports that other merchant ships and vessels are in the area.

The search was being hampered yesterday by extreme weather conditions according to AMSA, with winds at up to 74 mph and seas at 23 feet. Conditions, however, have abated today with winds between approximately 25 and 30 mph and seas approximately 6 to 10 feet.

(Abridged from <https://www.maritime-executive.com/article/multinational-search-fo...>)

QUESTÃO 3

In relation to the text, we can affirm that the sentence "They reported finding an upturned hull" (paragraph 3), means that the vessel:

- (A) became wedged across the Indian Ocean.
- (B) keeled over in the south of the Maldives.
- (C) got stranded on a shoal.
- (D) was a self-righting boat.
- (E) was partially refloated.

QUESTÃO 4

Read the statements about the text and decide whether they are True (T) or False (F). Then, mark the correct sequence.

- I- Search and rescue operation is intensively afoot.
- II- *Navios Taurus* is a vessel that carries perishable cargoes.
- III- The search for the missing crew members was taken for granted.
- IV- A quest for the crew members was turned down by the Chinese government.
- V- The fishing vessel *Lu Peng Yuan Yu 028* turned turtle in the Indian Ocean.
- VI- Owing to the fact that the rough weather condition has abated, the search was not hindered.

- (A) (T) (T) (F) (F) (T) (F)
- (B) (T) (F) (T) (F) (F) (T)
- (C) (F) (T) (T) (F) (F) (F)
- (D) (F) (F) (T) (F) (F) (T)
- (E) (T) (F) (F) (F) (T) (T)

QUESTÃO 5

Choose the option in which the adverb is in the correct position in the sentence.

- (A) My cousin never would admit that he smoked.
- (B) She annually travels abroad.
- (C) The boss considered briefly the possibility.
- (D) Only later did they realize how much suffering had been caused.
- (E) She admires greatly Oscar Wilde's work.

QUESTÃO 6

Choose the option that completes the paragraph below correctly.

Netflix ___ its long-promised crackdown on password sharing in major markets, including the UK and the US. The move is intended to boost subscribers. But in some countries where it ___, some are reluctant at the expense. In Spain, when it started charging 5.99 Euros (£5.27) for an additional account, it___ more than a million subscribers in the first three months of the year. The streaming giant ___that more than 100 million households share passwords despite this being against its official rules. Netflix ___ 233 million subscribers globally.

(Adapted and abridged from <https://www.bbc.com/news/business>)

- (A) started / is already trialed / has lost / previously estimated / had
- (B) starts / had already been trialed/ lost /previously estimated / had
- (C) started / was already trialed / has lost / has previously estimated / has
- (D) has started / has already been trialed / lost / had previously estimated / has
- (E) has started / has already been trialed / has lost / had previously estimated / has had

QUESTÃO 7

Mark the option that correctly completes the sentences below.

- I- The wind _____ the crops flat.
- II- Do not _____ in bed all day! Get up and do some work!
- III- The contract _____ open on the table.
- IV- The ducks are not _____ well at the moment.
- V- Bob has been _____ low ever since my aunt asked him for the money he owes me.
- VI- It _____ with you to accept or refuse the suggestion.

- (A) laid / lie / lay / laying / lying / lies
- (B) laid / lay / lay / lying / laying / laying
- (C) lay / lie / laid / laying / laying / laid
- (D) lied / lay / laid / lying / lying / lying
- (E) lay / lie / lied / laying / lying / laid

QUESTÃO 8

Mark the correct option to complete the paragraph below:

Some professors view ChatGPT as a valuable tool that can assist students in producing high-quality content in essays and thesis, while others are concerned about the potential for plagiarism and academic dishonesty. To use ChatGPT ethically, students should use it as a supplement to their writing skills _____ a replacement.

(<https://www.enago.com/thesis-editing/blog/how-do-professors-feel-about-students-using-chatgpt-to-write-their-essays-and-thesis>)

- (A) however
- (B) apart from
- (C) whereas
- (D) rather than
- (E) as long as

QUESTÃO 9

Choose the option in which the use of the article is INCORRECT.

- (A) Sailors are frequently at the sea.
- (B) Angela finally took the position of HR manager.
- (C) Grandpa used to listen to the radio a lot in his younger days.
- (D) Aircraft release CO2 and many other gases into the atmosphere.
- (E) She dreamed of a future where she would have more time for herself.

QUESTÃO 10

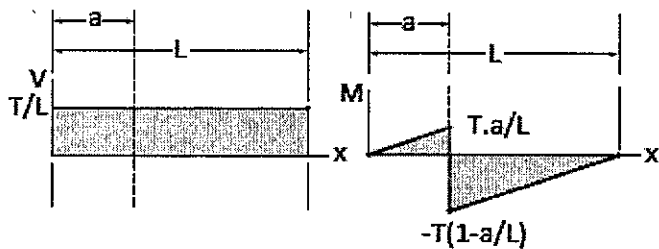
Considering the use of gerund and infinitive, mark the sequence in which all the verbs follow the same pattern of the verb in bold, in the sentence below:

"We will **continue** to work together with relevant sides to do everything possible to find those who have gone missing."

- (A) consider / finish / suggest / allow
- (B) love / regret / start / dislike
- (C) advise / forget / hate / regret
- (D) detest / mind / deny / watch
- (E) see / try / imagine / risk

QUESTÃO 11

Examine a figura abaixo.



Assinale a opção que apresenta o carregamento que causa os diagramas de cortante e momento fletor apresentado na figura acima.

- (A)
- (B)
- (C)
- (D)
- (E)

QUESTÃO 12

Com relação ao tratamento térmico dos aços, assinale a opção que apresenta o tratamento térmico utilizado para melhorar a usinabilidade dos aços alto carbono.

- (A) Recozimento pleno.
- (B) Coalescimento.
- (C) Normalização.
- (D) Têmpera.
- (E) Revenido.

QUESTÃO 13

Um submarino de 5 mil toneladas ocupa um volume de 4750 m³ e está em uma condição em que flutua na superfície do oceano. Calcule a quantidade de água que necessita ser admitida para que haja movimento descendente a 1 m/s² e assinale a opção correta.

Dados: $g = 10 \text{ m/s}^2$; e $\rho_{\text{H}_2\text{O}} = 1 \text{ ton/m}^3$.

- (A) 297,1 toneladas.
- (B) 291,3 toneladas.
- (C) 283,5 toneladas.
- (D) 277,8 toneladas.
- (E) 270,2 toneladas.

QUESTÃO 14

Assinale a opção que apresenta o componente de um motor diesel que tem a função de regularizar a marcha do motor, mantendo a velocidade uniforme, sem solavancos ou vibrações excessivos.

- (A) Sonda lambda.
- (B) Eixo de comando de válvulas.
- (C) Volante.
- (D) Virabrequim.
- (E) Pistões.

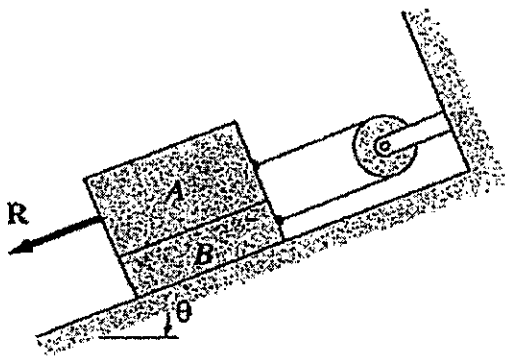
QUESTÃO 15

Atualmente, há uma crescente busca pelo aumento da eficiência em motores a combustão e uma das formas que diversas fabricantes optam para minimizar o consumo energético em regime variável é o "downsizing". O *downsizing* consiste na aplicação de um ou mais turbo compressores visando injetar ar a maior pressão nos cilindros, com conseqüente diminuição da capacidade volumétrica do motor, bem como a diminuição do peso total da máquina. Considerando motores de ciclo diesel de igual deslocamento, ambos em bancada, trabalhando com a mesma carga, a 3000 rotações por minuto constantes, sendo um com um turbo compressor instalado. Assinale a opção que descreve a relação entre o consumo de combustível e a potência desses motores em litros por hora.

- (A) Por terem o mesmo deslocamento, os motores deverão ter o mesmo consumo.
- (B) O motor com o turbo compressor instalado terá maior consumo e produzirá maior potência, na situação apresentada.
- (C) O motor sem o turbo compressor instalado será mais econômico por ser mais leve.
- (D) O motor com o turbo compressor instalado poderá ter menor consumo, pois tem a queima de combustível mais eficiente.
- (E) O motor com o turbo compressor instalado terá certamente maior consumo.

QUESTÃO 16

Analise a figura abaixo.

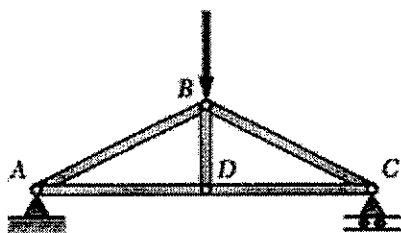


Considere o arranjo dos blocos A e B da figura acima de massas m_A e m_B , respectivamente. Sabendo que todas as superfícies possuem coeficiente de atrito μ , assinale a opção que apresenta a expressão da força R para a qual o sistema está em repouso.

- (A) $g[(m_B + m_A) \cdot \cos \theta + \mu \cdot (4 \cdot m_A - m_B) \cdot \sin \theta]$
- (B) $g[(m_B + m_A) \cdot \sin \theta + \mu \cdot (3 \cdot m_A - m_B) \cdot \cos \theta]$
- (C) $g[(m_B + m_A) \cdot \sin \theta + \mu \cdot (5 \cdot m_A - m_B) \cdot \cos \theta]$
- (D) $g[(m_B - m_A) \cdot \sin \theta + \mu \cdot (2 \cdot m_A + m_B) \cdot \cos \theta]$
- (E) $g[(m_B + m_A) \cdot \sin \theta + \mu \cdot (4 \cdot m_A - m_B) \cdot \cos \theta]$

QUESTÃO 17

Analise a figura abaixo.



Com base na treliça apresentada acima e nas afirmativas abaixo, assinale a opção correta.

- I- O elemento AB está sob compressão.
 - II- O elemento BC está sob tração.
 - III- O elemento BD está sob compressão.
 - IV- O elemento AD está sob compressão.
 - V- O elemento DC está sob tração.
- (A) Apenas as afirmativas I e V são verdadeiras.
 - (B) Apenas as afirmativas II, III e IV são verdadeiras.
 - (C) Apenas as afirmativas II e IV são falsas.
 - (D) Apenas as afirmativas I, III e IV são verdadeiras.
 - (E) Apenas a afirmativa a IV é falsa.

QUESTÃO 18

O volume de combustível contido num tanque de um veículo de combate anfíbio possui taxa de variação de volume dada por $V' = 20 - 20t \cdot \sin(\pi t/2)$, em L/h, onde t é o tempo em horas de operação em combate. Calcule o volume de combustível contido no tanque na quarta hora de operação, sabendo que, na segunda hora, existiam 80 L no tanque de combustível, e assinale a opção correta.

- (A) $120 - 240/\pi$
- (B) $80 - 240/\pi$
- (C) $120 - 160/\pi$
- (D) $80 - 160/\pi$
- (E) $80 - 80/\pi$

QUESTÃO 19

Para resolver o problema de tiro de canhões é necessário conhecimento de determinadas variáveis, como a aceleração. Se a velocidade de um projétil de canhão é modelada pela expressão: $v(t) = (1/t) \cdot \arctan(t)$, assinale a opção que representa a respectiva aceleração.

- (A) $t^2 \left[\frac{1}{(1+t)} - t \cdot \arctan(t) \right]$
- (B) $t \left[\frac{1}{(1+\arctan(t))} - t^2 \right]$
- (C) $\frac{1}{t} \left[\frac{1}{(1+t^2)} - \frac{\arctan(t)}{t} \right]$
- (D) $t \left[\frac{\arctan(t)}{(1+\arctan(t))} - \frac{1}{t} \right]$
- (E) $t \left[\frac{1}{(1+t)} - \frac{\arctan(t)}{2t} \right]$

QUESTÃO 20

Um veículo foi adquirido pela Marinha do Brasil por R\$ 50.000,00 em 1993. A perda de valor comercial desse bem em função do tempo é calculada multiplicando-se o custo inicial pela razão entre a depreciação temporal tecnológica, dada por $d = \ln(x - 30)$, e o desgaste, dado por $f = 1/(x - 30)$, onde x é a quantidade de anos de uso. Assim, o valor do automóvel após 30 anos de uso será:

- (A) 0,00
- (B) 500,00
- (C) 1.000,00
- (D) 2.500,00
- (E) 5.000,00

QUESTÃO 21

Dada a influência do tamanho de grão sobre o comportamento do aço nos tratamentos térmicos, é importante que se possa controlá-lo. Esse controle é realizado de maneira relativamente fácil, pela adição de determinados elementos de liga em teores baixos. Assinale a opção que apresenta o elemento de liga que NÃO pode controlar o crescimento do grão da austenita.

- (A) Alumínio.
- (B) Zircônio.
- (C) Vanádio.
- (D) Titânio.
- (E) Cobalto.

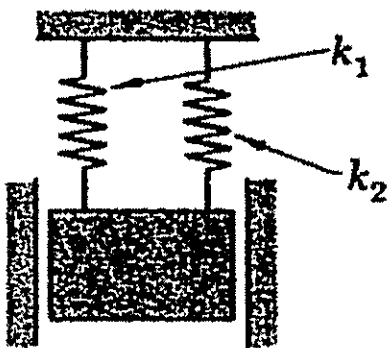
QUESTÃO 22

Acerca da dureza de um material, é INCORRETO afirmar que:

- (A) pode ser testada por penetração, por choque e por risco.
- (B) pode ser definida como a resistência à deformação plástica permanente do material.
- (C) é uma propriedade do aço que aumenta com a temperatura.
- (D) Brinell, Rockwell e Vickers são escalas dessa propriedade mecânica.
- (E) pode ser alterada através de tratamentos térmicos.

QUESTÃO 23

Analise a figura abaixo.



Um bloco de 60 kg move-se entre guias verticais como ilustrado na figura acima. As constantes k_1 e k_2 das molas são de 6 e 7,5 kN/m, respectivamente. O bloco, então, é puxado 50 mm abaixo de sua posição de equilíbrio e liberado. Nessas condições, o período de vibração será aproximadamente de:

- (A) 0,4 s
- (B) 0,8 s
- (C) 2,5 s
- (D) 5,0 s
- (E) 15 s

QUESTÃO 24

Com relação aos constituintes básicos dos aços, assinale a opção que apresenta as características da austenita.

- (A) Apresenta uma estrutura cristalina ortorrômbica; muito dura e quebradiça, é responsável pela elevada dureza e resistência dos aços de alto carbono.
- (B) Apresenta uma estrutura tetragonal centrada; é o constituinte mais duro e mais frágil dos aços.
- (C) Apresenta uma estrutura de grãos poligonais irregulares; possui baixa dureza e baixa resistência à tração, mas excelente resistência ao choque e elevado alongamento.
- (D) É a mistura mecânica de ferrita e cementita, na forma de lâminas finas dispostas alternadamente.
- (E) Apresenta uma estrutura de grãos poligonais irregulares; possui boa resistência mecânica e apreciável tenacidade; é não magnética.

QUESTÃO 25

Analise a função abaixo.

$$f(x) = \begin{cases} \frac{x}{\sqrt{x^2 - 1}} & , se x < 2 \\ \frac{2\sqrt{3}}{3} & , se x = 2 \\ \frac{2\sqrt{3} \cdot (\pi - 2)}{3\pi} + a \cdot \cos\left(\frac{\pi \cdot x}{6}\right) & , se x > 2 \end{cases}$$

Assinale a opção que apresenta o valor da constante "a" para que exista a derivada da função $f(x)$ em $x=2$.

- (A) $\frac{6}{\pi}$
- (B) $\frac{4}{3\pi}$
- (C) $\frac{2}{9\pi}$
- (D) $\frac{8}{3\pi}$
- (E) $\frac{4}{9\pi}$

QUESTÃO 26

Com relação aos mancais de rolamentos, assinale a opção INCORRETA.

- (A) Quanto à solicitação de carga, rolamentos podem ser radiais, axiais ou combinados.
- (B) Rolamentos de rolos cônicos resistem a cargas axiais em ambos os sentidos.
- (C) Rolamentos de agulhas são aplicados a construções leves e compactas.
- (D) Quanto aos tipos, existem rolamentos de esferas, de rolos e de agulhas.
- (E) Alguns rolamentos autocompensadores conseguem compensar deformações da caixa.

QUESTÃO 27

De acordo com a nomenclatura AISI (*American Iron and Steel Institute*) e SAE (*Society of Automotive Engineers*), o aço que possui em sua composição 1,65 a 2,00% de níquel, 0,40 a 0,90% de cromo e 0,20 a 0,30% de molibdênio em elementos de liga e teor de carbono de 0,40% é o:

- (A) 1040.
- (B) 4130.
- (C) 4140.
- (D) 4340.
- (E) 5150.

QUESTÃO 28

Sobre o sistema de lubrificação em motores diesel, é correto afirmar que:

- (A) má lubrificação não causa desgaste prematuro do motor.
- (B) motores de ciclo diesel funcionam bem com qualquer tipo de óleo lubrificante.
- (C) motores de ciclo diesel não usam bomba de óleo lubrificante, pois trabalham imersos no óleo do cárter e no próprio óleo diesel.
- (D) motores de ciclo diesel filtram apenas o óleo combustível, não necessitando filtro de óleo lubrificante.
- (E) o chamado cárter seco é uma forma de garantir a boa lubrificação de motores que trabalham em grandes inclinações.

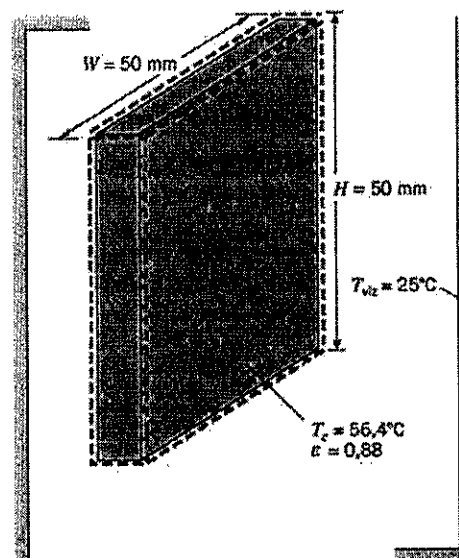
QUESTÃO 29

De acordo com Chiaverini (2012), em determinado processo de fabricação, pós metálicos, em particular de aço, são comprimidos em peças pré-moldadas, caracterizadas por apresentarem ainda certa porosidade. Esse pré-moldado possui um determinado peso e sua forma corresponde à da matriz de forjamento. A porosidade existente facilita a operação final de forjamento e diminui o custo dessa operação. O pré-moldado é, em seguida, submetido ao forjamento em matriz, resultando uma peça que exige apenas um ligeiro acabamento por usinagem. Assim, como é denominado o processo supracitado?

- (A) Pré-forjamento.
- (B) Forjamento matricial.
- (C) Fundição.
- (D) Sinterização.
- (E) Jateamento.

QUESTÃO 30

Analise a figura abaixo.



O componente eletrônico de espessura desprezível da figura acima é aquecido e encontra-se a uma temperatura superficial de 56,4°C, estando submetida a uma vizinhança a 25°C. Se a emissividade do componente vale 0,88 e a constante de Stefan-Boltzman vale $5,67 \times 10^{-8}$ em unidades do Sistema Internacional, assinale a opção que apresenta a taxa de transferência de calor em W por radiação do componente eletrônico para a vizinhança.

- (A) 1,10
- (B) 0,97
- (C) 0,78
- (D) 0,48
- (E) 0,39

QUESTÃO 31

Uma câmara frigorífica desempenha a função de paiol de mantimentos refrigerados perecíveis. Um militar verificou com um sensor que a temperatura externa da parede da câmara se mantém em 20°C durante operação rotineira. O compressor da câmara queimou e precisa ser substituído. Considere que o coeficiente de convecção natural é de $4 \text{ W}\cdot\text{m}^{-2}\cdot\text{K}^{-1}$, que a temperatura ambiente média no inverno é de 24°C e no verão, de 30°C , que a câmara frigorífica consiste em um paralelepípedo com 3 m de largura, 10 m de profundidade e 2 m de altura, e que o piso da câmara é adiabático. Nesse contexto, assinale a opção que apresenta o valor da mínima capacidade de refrigeração do compressor a ser adquirido em W.

- (A) 1792
- (B) 1968
- (C) 2624
- (D) 3280
- (E) 4480

QUESTÃO 32

Um sistema de refrigeração opera de acordo com o ciclo reverso de Carnot. Esse sistema recebe calor do ambiente a ser refrigerado a uma temperatura de -2°C e rejeita a energia térmica a uma temperatura de 37°C . Sabendo que a potência fornecida ao compressor é de 8 kW, assinale a opção que apresenta o valor do efeito refrigerante desse sistema, em kW.

- (A) 7,6
- (B) 15,6
- (C) 23,6
- (D) 55,6
- (E) 63,6

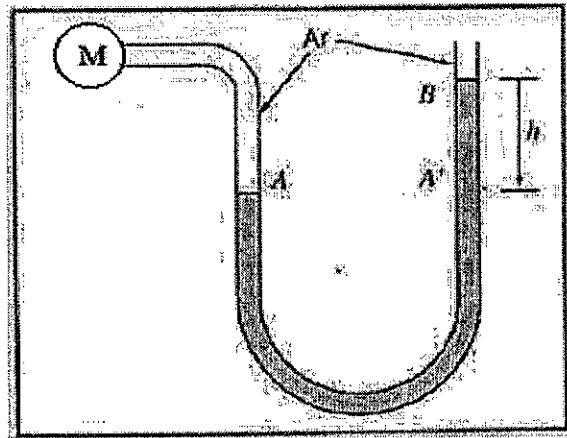
QUESTÃO 33

Considerando que a tensão máxima admissível do material é de 100 MPa, calcule a pressão máxima admissível de um vaso de pressão cilíndrico sem costura de 30 metros de altura, 2,54 metros de diâmetro e meia polegada de espessura de parede, contendo água a temperatura ambiente até a altura de 25 metros, e assinale a opção correta.

- (A) 0,74 MPa.
- (B) 0,99 MPa.
- (C) 1,5 MPa.
- (D) 9,9 MPa.
- (E) 99 kPa.

QUESTÃO 34

Examine a figura abaixo.



Um manômetro analógico empregado por mergulhadores em operações anfíbias está sob suspeita de mau funcionamento. É necessário realizar uma aferição do equipamento empregando um manômetro de referência de coluna de um fluido em U, cuja densidade é de 6000 kg/m^3 . A indicação do manômetro (M) avariado na figura acima é de 7,35 psi. Considera-se que a medição está adequada caso a diferença entre os manômetros seja de no máximo 5%. Assinale a opção que apresenta a indicação de altura (h), em metros, que aprovaria o manômetro analógico.

Dados: $g = 10 \text{ m/s}^2$.

- (A) 0,78
- (B) 0,85
- (C) 0,93
- (D) 0,95
- (E) 0,97

QUESTÃO 35

Em uma instalação de bombeamento de água, uma bomba centrífuga será conectada a um sistema composto por válvulas, conexões e tubulações. A perda de carga desse sistema é proporcional ao quadrado da vazão volumétrica (Q) em L/h de operação, sendo a constante de proporcionalidade k igual a 5. No catálogo do fabricante, consta a curva característica da bomba, cujo ganho de carga é dado pela expressão $(250.000 - 11 \cdot Q^2)$. Assim assinale a opção que apresenta o valor da vazão de água de operação.

- (A) 200
- (B) 175
- (C) 150
- (D) 125
- (E) 100

QUESTÃO 36

Ar escoia em regime permanente e com baixa velocidade através de um bocal horizontal que o descarrega para a atmosfera. O fluxo de ar atinge, de maneira isentrópica, o centro de uma placa plana fixada na posição vertical próxima à saída do bocal. A pressão manométrica medida na entrada do bocal é de 1,44 kPa. Sendo a pressão de estagnação medida no centro da placa de 101,5 kPa, a razão entre as áreas de entrada e saída do bocal será de:

Dados: $P_{atm} = 100 \text{ kPa}$; e
 $\rho_{ar} = 1,2 \text{ kg/m}^3$.

- (A) 8
- (B) 5
- (C) 4
- (D) 1,4
- (E) 0,125

QUESTÃO 37

Sobre a utilização de trocadores de calor em sistemas de refrigeração, assinale a opção INCORRETA.

- (A) A condensação pode ser realizada por circuito de água fechada com torre de arrefecimento, com a temperatura de bulbo úmido do ar exterior superior à temperatura da água de circulação.
- (B) São empregados dois trocadores de calor em sistemas de refrigeração, denominados condensador e evaporador. O condensador rejeita calor para o ambiente externo, enquanto o evaporador retira calor do ambiente refrigerado.
- (C) Na condensação a ar forçada, a temperatura admitida para o fluido frigorígeno deve ser superior à do bulbo seco do ar exterior para que haja a transferência de calor do condensador para o ar exterior.
- (D) Dentre as diversas maneiras de promover a condensação do fluido refrigerante no condensador, pode ser empregada a circulação de água em circuito fechado por meio de torres de arrefecimento.
- (E) Na condensação evaporativa, a temperatura de bulbo úmido do ar exterior deve ser inferior à do fluido frigorígeno.

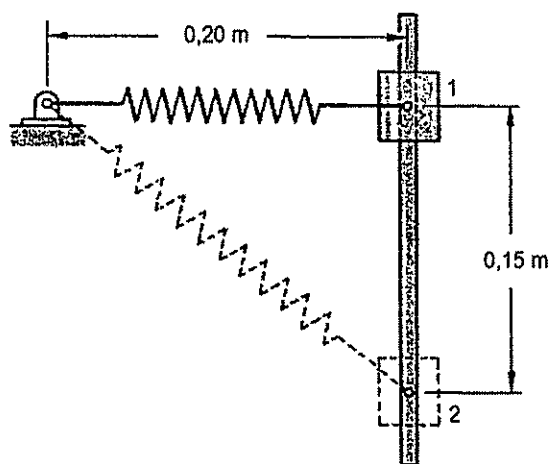
QUESTÃO 38

O escoamento em um duto de seção circular de raio c de um fluido com viscosidade absoluta μ , possui perfil quadrático, condição de não deslizamento na parede do duto e está completamente desenvolvido. Sabendo que a velocidade máxima no interior da seção do duto é b assinale a opção que apresenta a expressão do módulo da tensão superficial na parede desse duto.

- (A) $4 \cdot \mu \cdot b / c^2$
- (B) $2 \cdot \mu \cdot b^2 / c^2$
- (C) $2 \cdot \mu \cdot b / c$
- (D) $4 \cdot \mu^2 \cdot b^2 / c^2$
- (E) $4 \cdot \mu^2 \cdot b / c$

QUESTÃO 39

Analise a figura abaixo.



Uma barra vertical permite o deslizamento sem atrito de um cilindro de 100 N conforme mostrado na figura acima. A mola fixada ao cilindro possui constante de 500 N/m e, quando não deformada, possui comprimento de 0,1 m. O cilindro é liberado a partir do repouso na posição 1. Assinale a opção que apresenta a velocidade do cilindro ao chegar ao ponto 2.

Dado: $g = 10 \text{ m/s}^2$.

- (A) 1,54 m/s
- (B) 1,52 m/s
- (C) 1,50 m/s
- (D) 1,48 m/s
- (E) 1,46 m/s

QUESTÃO 40

Correlacione os processos de soldagem às suas respectivas características, e assinale a opção que apresenta a sequência correta.

PROCESSOS DE SOLDAGEM

- I- Eletrodo revestido
- II- Oxigás
- III- Arco submerso
- IV- MIG/MAG
- V- Brasagem
- VI- TIG

CARACTERÍSTICAS

- () Utiliza um fluxo granulado que protege o cordão de solda do meio circundante.
- () Não ocorre a fusão do metal base.
- () Produz uma chama concentrada de alta temperatura.
- () Emprega um eletrodo não consumível e um gás de proteção.

- (A) (I) (II) (V) (IV)
- (B) (I) (V) (II) (VI)
- (C) (III) (V) (II) (IV)
- (D) (III) (V) (II) (VI)
- (E) (III) (II) (V) (IV)

QUESTÃO 41

Assinale a opção que apresenta quais processos de usinagem são necessários, no mínimo, para a fabricação de um parafuso de cabeça sextavada a partir de um tarugo cilíndrico.

- I- Torneamento.
- II- Furação.
- III- Retificação.
- IV- Fresamento.
- V- Roscamento.

- (A) Torneamento e roscamento.
- (B) Torneamento e fresamento.
- (C) Retificação e roscamento.
- (D) Torneamento, furação e fresamento.
- (E) Torneamento, fresamento e roscamento.

QUESTÃO 42

Coloque F (falso) ou V (verdadeiro) nas afirmativas abaixo, relativas às estruturas cristalinas dos metais, e assinale a seguir a opção correta.

- () Na estrutura cúbica de faces centradas (CFC), o número de coordenação é 12 e seu fator de empacotamento atômico é 0,74.
- () Na estrutura cúbica de corpo centrado (CCC), o número de coordenação é 8 e seu fator de empacotamento atômico é 0,68.
- () Na estrutura hexagonal compacta (HC), o número de coordenação é 12 e seu fator de empacotamento atômico é 0,68.
- () Na estrutura cúbica simples (CS), o único elemento com essa estrutura cristalina é o alumínio, em razão de seu fator de empacotamento atômico relativamente pequeno.

- (A) (F) (F) (V) (F)
- (B) (V) (F) (F) (V)
- (C) (V) (V) (F) (F)
- (D) (V) (V) (V) (F)
- (E) (F) (V) (V) (V)

QUESTÃO 43

Com relação aos ferros fundidos, assinale a opção correta.

- (A) O ferro fundido maleável apresenta praticamente todo o carbono na forma combinada de carboneto de ferro, possui elevada dureza e resistência ao desgaste. Muito difícil de ser usinado, é empregado na fabricação de equipamentos de manuseio de terra, mineração e moagem.
- (B) O ferro fundido branco apresenta carbono livre na forma de grafita esferoidal, possui boa ductilidade, alta tenacidade e resistência mecânica. Muito empregado para fabricação de engrenagens, pinhões e rolamentos.
- (C) O ferro fundido mesclado apresenta, em sua estrutura, grafita em forma vermicular. Possui melhor resistência mecânica e ductilidade que o ferro fundido cinzento, além de maior capacidade de amortecimento, condutividade térmica mais elevada e melhor usinabilidade em relação ao ferro fundido nodular. De comercialização relativamente recente, é empregado na fabricação de cabeçotes de motores diesel e rotores de freios de discos.
- (D) O ferro fundido nodular é obtido a partir do ferro fundido branco por meio de tratamento térmico. Apresenta, em sua estrutura, grafita na forma de nódulos, possui alta resistência à tração, fadiga e desgaste, além de boa usinabilidade. É aplicado na fabricação de flanges, tubos e peças de válvulas.
- (E) O ferro fundido cinzento apresenta carbono livre em forma de grafita lamelar em sua estrutura, com boa resistência mecânica, excelente usinabilidade e boa capacidade de amortecimento. É o mais utilizado entre os ferros fundidos, com ampla aplicação no setor automotivo e para fabricação de base de máquinas.

QUESTÃO 44

A refrigeração revolucionou a sociedade, tanto nos âmbitos doméstico e comercial quanto em aplicações militares. Sobre os conceitos que envolvem a refrigeração por compressão mecânica de vapor, assinale a opção correta.

- (A) A estratégia para controle de temperatura dos recintos é sempre realizada por termostato simples.
- (B) O condensador promove a redução de temperatura do ambiente refrigerado, pois, ao condensar a umidade do ambiente, promove resfriamento latente.
- (C) Como dispositivo de expansão, sempre é empregada uma válvula, que consiste em um sistema autônomo.
- (D) É desejável que o grau de subresfriamento seja sempre nulo, pois assim aumenta-se o efeito de refrigeração.
- (E) Todos os sistemas de refrigeração possuem pressostatos de alta e baixa pressão no compressor.

QUESTÃO 45

Considerando um submarino submerso como um cilindro de diâmetro de 12 metros, o coeficiente de arrasto do submarino igual a 0,5 e que um nó é igual a 1800 metros/h, calcule a potência necessária para vencer o arrasto hidrodinâmico à velocidade constante de 20 nós e assinale a opção correta.

Dado: $\rho_{H_2O} = 1 \text{ ton/m}^3$.

- (A) 28,3 kW
- (B) 226 kW
- (C) 28,3 MW
- (D) 226 MW
- (E) 226 mil cv

QUESTÃO 46

Com relação aos ensaios mecânicos dos materiais, os corpos de prova Charpy e Izod são utilizados no(s) ensaio(s) de:

- (A) dobramento e flexão.
- (B) fadiga e fluência.
- (C) dureza.
- (D) tração e compressão.
- (E) impacto.

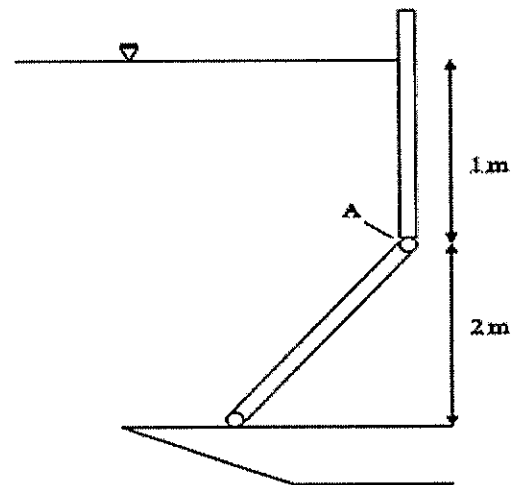
QUESTÃO 47

Acerca do processo de cementação, assinale a opção correta.

- (A) É o aumento da resistência à abrasão de um componente de aço por um processo de jateamento com sílica.
- (B) É o alívio de tensões localizadas na superfície de um componente de aço por um processo de carbonetação ou nitretação.
- (C) É o endurecimento da superfície de um componente de aço por um processo de revestimento por cromo duro.
- (D) É o endurecimento do núcleo de um componente de aço por um processo de carbonetação ou nitretação.
- (E) É o endurecimento da superfície de um componente de aço por um processo de carbonetação ou nitretação.

QUESTÃO 48

Analise a figura abaixo.



A comporta de um navio de desembarque de veículos de guerra representada na figura acima é fixada por um pino no ponto A e possui 6 m de largura e 4 m de comprimento. Para realizar o dimensionamento do pino, é necessário calcular o valor da força à qual esse pino será submetido durante operação. Assim, assinale a opção que apresenta a expressão correta para a força do pino em A.

- (A) $\rho g L / 2$
- (B) $\rho g L / 3$
- (C) $\rho g L / 4$
- (D) $\rho g L / 5$
- (E) $\rho g L / 6$

QUESTÃO 49

Sobre bombas volumétricas, assinale a única opção verdadeira:

- (A) São bombas com a aplicação de movimentar o fluido, sem gerar aumento de pressão.
- (B) São bombas que mantêm a vazão média do sistema praticamente constante.
- (C) Também conhecidas como bombas de deslocamento positivo, deslocam o líquido usando um impelidor.
- (D) Também conhecidas como bombas centrífugas, deslocam o fluido usando cilindros.
- (E) Geram vazão inversamente proporcional à pressão demandada.

QUESTÃO 50

O nome dado à operação de usinagem que consiste em executar superfícies planas, em posição horizontal, vertical ou inclinada, com o emprego de uma ferramenta dotada de um único gume cortante que arranca o cavaco com movimento linear é:

- (A) aplainamento.
- (B) torneamento.
- (C) brochamento.
- (D) fresamento.
- (E) retificação.


RASCUNHO PARA REDAÇÃO

TÍTULO:

1	
2	
3	
4	
5	
6	
7	
8	
9	
10	
11	
12	
13	
14	
15	
16	
17	
18	
19	
20	
21	
22	
23	
24	
25	
26	
27	
28	
29	
30	

INSTRUÇÕES GERAIS AO CANDIDATO

- 1 - Verifique se a prova recebida e a folha de respostas são da mesma cor (consta no rodapé de cada folha a cor correspondente) e se não faltam questões ou páginas. Escreva e assinie corretamente seu nome, coloque seu número de inscrição e o dígito verificador (DV) apenas nos locais indicados;
- 2 - O tempo para a realização da prova será de **4 (quatro) horas**, incluindo o tempo necessário à redação e à marcação das respostas na folha de respostas, e não será prorrogado;
- 3 - Só inicie a prova após ser autorizado pelo Fiscal, interrompendo sua execução quando determinado;
- 4 - A redação deverá ser uma dissertação com ideias coerentes, claras e objetivas, escritas em língua portuguesa e escrita em letra legível. Caso seja utilizada letra de forma (caixa alta), as letras maiúsculas deverão receber o devido realce. Deverá ter, no mínimo, 20 linhas contínuas, considerando o recuo dos parágrafos, e no máximo 30 linhas. Não poderá conter qualquer marca identificadora ou assinatura no espaço destinado à redação, o que implicará a atribuição de nota zero à redação;
- 5 - Iniciada a prova, não haverá mais esclarecimentos. O candidato somente poderá deixar seu lugar, devidamente autorizado pelo Supervisor/Fiscal, para se retirar definitivamente do recinto de prova ou, nos casos abaixo especificados, devidamente acompanhado por militar designado para esse fim:
 - atendimento médico por pessoal designado pela MB;
 - fazer uso de banheiro; e
 - casos de força maior, comprovados pela supervisão do certame, sem que aconteça saída da área circunscrita para a realização da prova.
 Em nenhum dos casos haverá prorrogação do tempo destinado à realização da prova; em caso de retirada definitiva do recinto de prova, esta será corrigida até onde foi solucionada;
- 6 - Use caneta esferográfica preta ou azul e de material transparente para preencher a folha de respostas;
- 7 - Confira nas folhas de questões as respostas que você assinalou como corretas antes de marcá-las na folha de respostas. Cuidado para não marcar duas opções para uma mesma questão na folha de respostas (a questão será perdida);
- 8 - Para rascunho, use os espaços disponíveis nas folhas de questões, mas só serão corrigidas as respostas marcadas na folha de respostas;
- 9 - O tempo mínimo de permanência dos candidatos no recinto de aplicação de provas é de **120 minutos**.
- 10 - Será eliminado sumariamente do processo seletivo/concurso e suas provas não serão levadas em consideração o candidato que:
 - a) der ou receber auxílio para a execução da Prova escrita objetiva de conhecimentos profissionais e da Redação;
 - b) utilizar-se de qualquer material não autorizado;
 - c) desprezar qualquer prescrição relativa à execução da Prova e da Redação;
 - d) escrever o nome ou introduzir marcas identificadoras noutro lugar que não o determinado para esse fim; e
 - e) cometer ato grave de indisciplina.
- 11 - Instruções para o preenchimento da folha de respostas:
 - a) use caneta esferográfica azul ou preta;
 - b) escreva seu nome em letra de forma no local indicado;
 - c) assinie seu nome no local indicado;
 - d) no campo inscrição DV, escreva seu número de inscrição nos retângulos, da esquerda para a direita, um dígito em cada retângulo. Escreva o dígito correspondente ao DV no último retângulo. Após, cubra todo o círculo correspondente a cada número. Não amasse, dobre ou rasgue a folha de respostas, sob pena de ser rejeitada pelo equipamento de leitura ótica que a corrigirá; e
 - e) só será permitida a troca de folha de respostas até o início da prova, por motivo de erro no preenchimento nos campos nome, assinatura e número de inscrição, sendo de inteira responsabilidade do candidato qualquer erro ou rasura na referida folha de respostas, após o início da prova.
- 12 - Procure preencher a folha com atenção de acordo com o exemplo abaixo:





Nome: **ROBERTO SILVA**

Assinatura: **Roberto Silva**

Instruções de Preenchimento:

- * Não rasure esta folha.
- * Não rabisque nas áreas de respostas.
- * Faça marcas sólidas nos círculos.
- * Não use canetas que borrem o papel.

ERRADO:  CORRETO: 

PREENCHIMENTO DO CANDIDATO

INSCRIÇÃO					DV	P	Q	
5	7	0	2	0	7	0	2	4

Preenchimento da Prova

1	2	3	4	5	6	7	8	9	10	11	12	13	14	15	16	17	18	19	20	21	22	23	24	25	26	27	28	29	30	31	32	33	34	35	36	37	38	39	40	41	42	43	44	45	46	47	48	49	50
---	---	---	---	---	---	---	---	---	----	----	----	----	----	----	----	----	----	----	----	----	----	----	----	----	----	----	----	----	----	----	----	----	----	----	----	----	----	----	----	----	----	----	----	----	----	----	----	----	----

T
A
R
J
A

- 13 - Será autorizado ao candidato levar a prova ao final do tempo previsto de realização do concurso. Ressalta-se que o caderno de prova levado pelo candidato é de preenchimento facultativo, e não será válido para fins de recursos ou avaliação.
- 14 - O candidato que não desejar levar a prova está autorizado a transcrever suas respostas, dentro do horário destinado à solução da prova, no modelo de gabarito impresso no fim destas instruções. É proibida a utilização de qualquer outro tipo de papel para anotação do gabarito.
- 15 - O candidato somente poderá destacar o modelo de gabarito na presença do fiscal e após terminar a prova. Caso o modelo de gabarito seja destacado sem a presença do fiscal, o candidato será eliminado.

ANOTE SEU GABARITO										PROVA DE COR _____														
1	2	3	4	5	6	7	8	9	10	11	12	13	14	15	16	17	18	19	20	21	22	23	24	25
26	27	28	29	30	31	32	33	34	35	36	37	38	39	40	41	42	43	44	45	46	47	48	49	50